

# Quick Start Guide

## I/O Linc™ – INSTEON® Low Voltage/Contact Closure Interface (1 In/1 Out)



Model: 2450

### Introduction

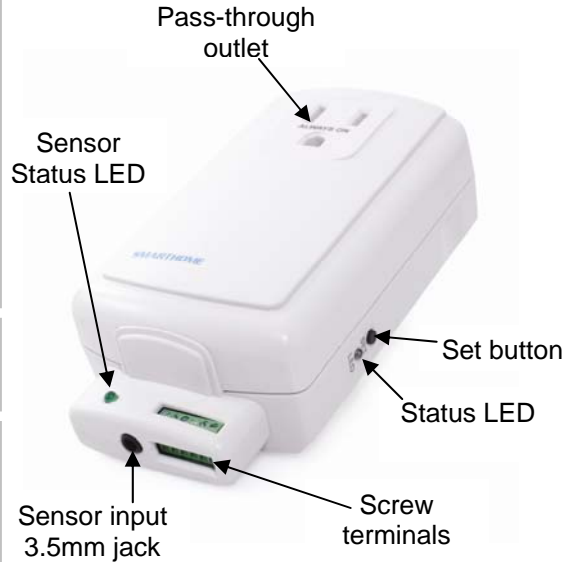
Monitor and control any low voltage devices such as contact closures, electric door strikes and alarm sensors as part of your INSTEON home automation network. Plus, use the built-in single-pole double-throw (SPDT) switch to connect any low-voltage powered device for continuous or momentary operation. Create your own remote-control door lock using a door strike and power supply or use a security sensor to trigger INSTEON controlled lights to turn on or off. I/O Linc acts as a repeater for all powerline INSTEON signals, is compatible with INSTEON and X10 products and has a pass-through outlet for other AC devices.

### Items Required

- Sensor wire: 20-22 gauge recommended

### I/O Linc Screw Terminals

5V	GND	Sense	N/C	N/O	Common
5 Volts, 10mA	Ground	Sensor input	Normally closed	Normally open	Switches between N/O and N/C



### Using a Sensor as an INSTEON Controller

- 1) Plug I/O Linc into an unswitched outlet near your sensor.  
*The I/O Linc Status LED should turn on.*
- 2) Connect one sensor wire to the I/O Linc GND terminal (see Figure 1).
- 3) Connect the other sensor wire to the I/O Linc Sensor terminal.
- 4) Put your sensor in the state that will trigger an ON command from I/O Linc.  
*The I/O Linc Sensor Status LED should turn on if the sensor is closed or turn off if the sensor is open.*
- 5) Set I/O Linc to linking mode\* by pressing and holding the Set button until it beeps (3 seconds).  
*The white I/O Linc Status LED should begin blinking.*
- 6) Press and hold the responder's Set button for 3 seconds.  
*The white I/O Linc Status LED should stop blinking and turn on solid.*
- 7) Confirm that linking was successful by tapping the Set button on I/O Linc.  
*The responder should respond appropriately.*

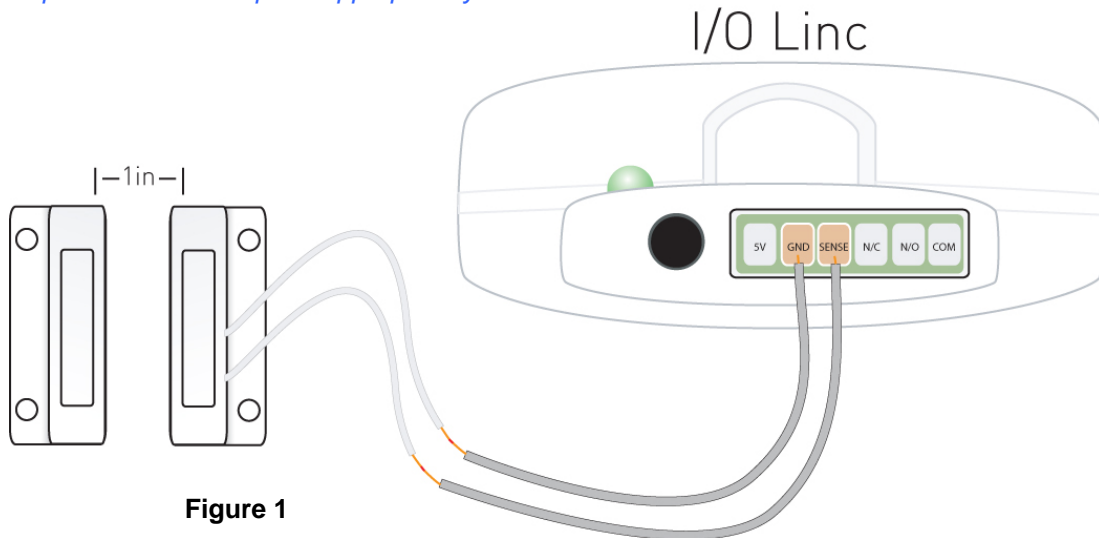


Figure 1

\*Setup modes will automatically time out after 4 minutes.

## Controlling a Door Strike from an INSTEON Device

This mode is used for controlling a normally open momentary switch or button, such as using an INSTEON controller to trigger a door strike.

NOTE: These instructions assume your output relay set is set to latching mode (default).\*

- 1) Plug I/O Linc into a convenient unswitched outlet.

*The I/O Linc Status LED should turn on.*

- 2) Using the Set button, ensure the relay is closed.

*The I/O Linc Status LED should be bright when the relay is closed and dim when open.*

### Link your INSTEON Controller(s) to I/O Linc

- 3) Set the controller to Linking Mode.\*\* (For most controllers, press and hold an On or Scene button for 10 seconds or the Set button for 3 seconds.)
- 4) Press and hold the Set button on I/O Linc until it beeps (3 seconds).
- 5) Repeat steps 3 and 4 for each controller you want to use to control I/O Linc.

### Set the Output Relay to Momentary Mode A

- 6) Set I/O Linc to linking mode by pressing and holding the Set button until it beeps (3 seconds).

*The I/O Linc Status LED should begin blinking.*

- 7) Set I/O Linc to unlinking mode by pressing and holding the Set button until it beeps again (3 seconds).

*The I/O Linc Status LED should continue blinking.*

- 8) Set I/O Linc to output relay programming mode by pressing and holding the Set button until it beeps a third time (3 seconds).

*The I/O Linc Status LED should stop blinking and turn on solid.*

- 9) Connect the door strike and power supply to I/O Linc (see Figure 2).

- 10) Test by either tapping the I/O Linc Set button or the button you linked to on the controller.

*The I/O Linc relay should close and then reopen after a few seconds.*

- 11) For instructions on how to set up the following features, consult the Owner's Manual.

- a) Increase the amount of time the momentary relay is closed (from 2 seconds up to 25 seconds).
- b) Trigger your momentary closure with an OFF command only.
- c) Trigger your momentary closure with both ON and OFF commands.
- d) Use the I/O Linc sensor input to determine whether the I/O Linc output will respond.

\*To be sure I/O Linc is in latching mode, tap the Set button and wait a few seconds. If you only hear one click, I/O Linc is in latching mode. If you hear two clicks, I/O Linc is in a momentary mode; return I/O Linc to latching mode or perform a factory reset (see Owner's Manual).

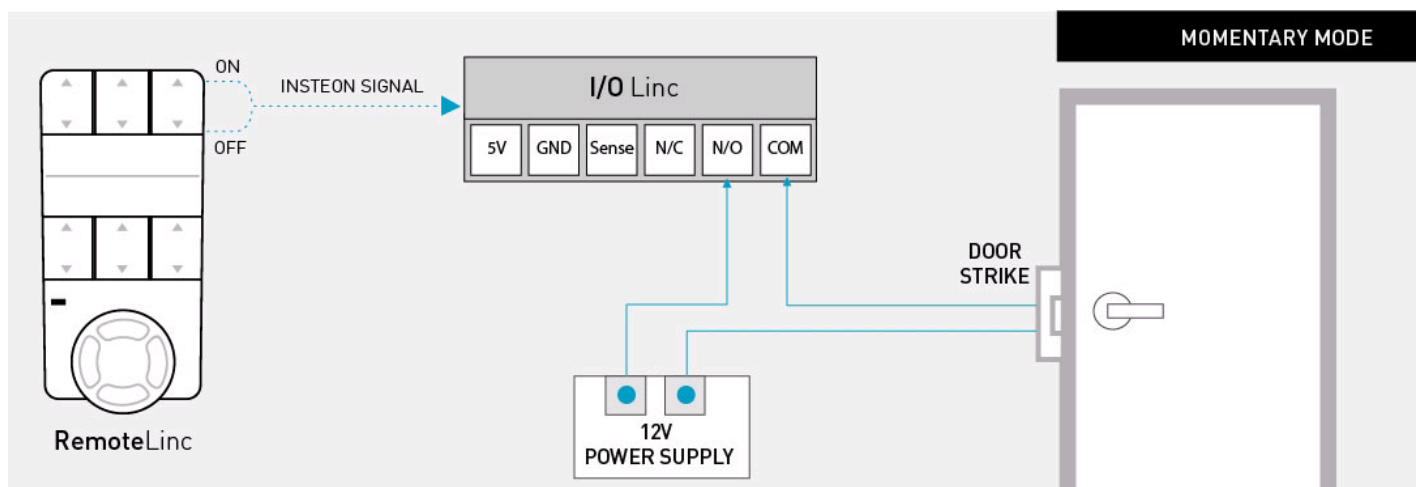


Figure 2

## Complete Instructions, Troubleshooting and Tech Support

Owner's Manual: [www.smarthome.com/manuals/2450.pdf](http://www.smarthome.com/manuals/2450.pdf)

Call: INSTEON Support Line at 800-762-7845