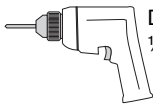
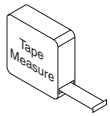
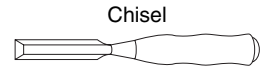
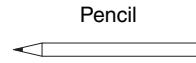
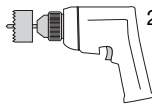




**Tools Needed**

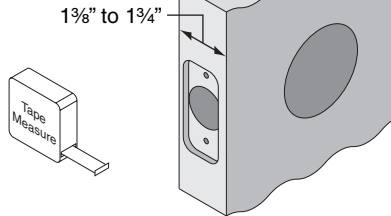


Drill Bits Needed:  
1/8", 7/8", 1"



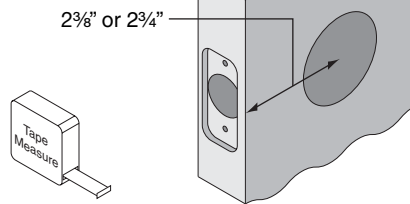
**1 Measure Door Width**

If the door is thinner than 1 3/8" or thicker than 1 3/4", then the lock will not fit properly on the door.



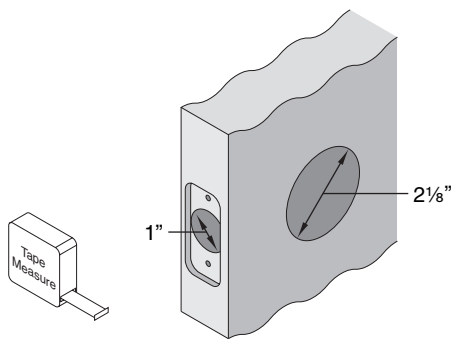
**2 Measure for Backset**

If existing backset is not 2 3/8" or 2 3/4", then the lock will not fit properly on the door.



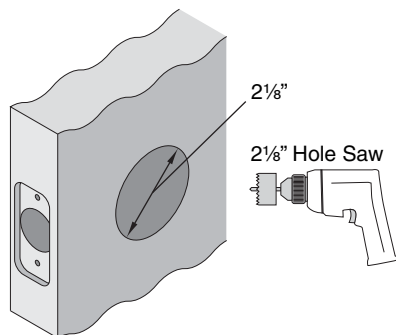
**3 Measure Hole Sizes**

If hole sizes are larger than those shown, then the lock will not fit properly on the door. If hole sizes are smaller than those shown, see steps 4 and 5.



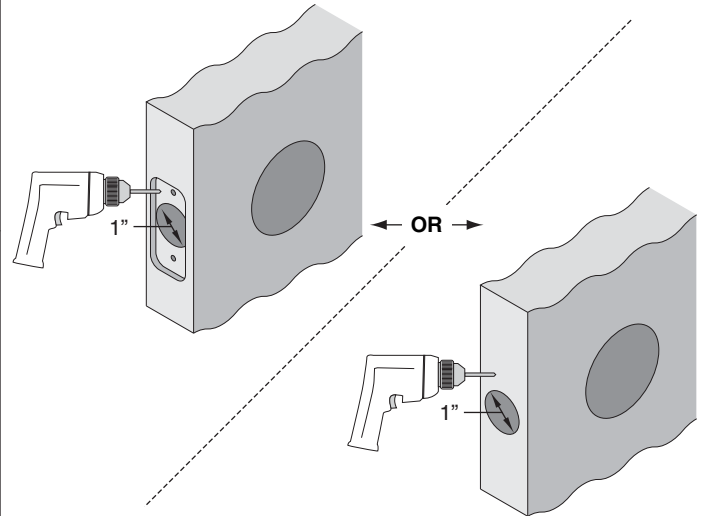
**4 If Needed, Enlarge Hole in Door**

If hole in door is smaller than 2 1/8", then use 2 1/8" hole saw to enlarge hole.



**5 If Needed, Enlarge Hole in Door Edge**

If hole in door edge is smaller than 1", then use 1" drill bit to enlarge hole.



**6 Check Strike (Door Jamb) Preparation**

- Place new strike box and strike against door jamb.
- If strike box and strike do not fit properly, use pencil to trace around strike box and strike and mark hole positions.
- If needed, use chisel and drill to correct door jamb preparation.

