

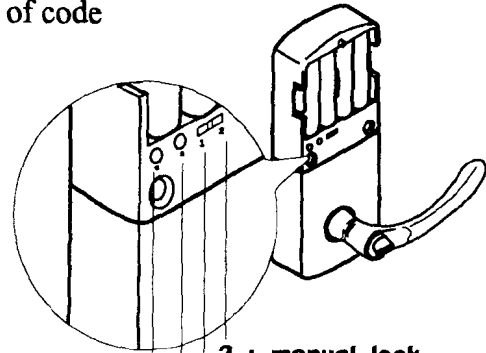
Programming Instruction

PAK

1. Open the battery cover, find S, C buttons and a programming switch
2. Press the (S) set button and hear 1 beep
3. On keypad, punch in desired code from 2 digits up to 8 digits, then press the unlock button on keypad to enter this code
4. Engage lock by pressing the lock button on the keypad
5. Test the lock by pressing this code then unlock key
6. Repeat procedure 2 and 3 to program up to 6 different sets of code

To Delete Or Erase A Code

1. Press the (C) cancel button in the battery module
2. Enter the code desired to delete, then press the unlock button, hear 2 confirmation beeps
3. Repeat 1 and 2 to delete other codes



2 : manual lock
1 : auto lock setting
S : set button
C : cancel button

To Erase All Code Previously Programmed

Press the C (cancel button) and hold for 10 seconds, then hear 2 confirmation beeps.

This reset the lock

☀ Lock Function will NOT operate without any code preprogrammed

Auto Relock Function

Switch the function button to position (1), the unit auto relock in 10 seconds after every unlock entry.

Switch the function button to position (2) to deactivate the Auto Lock Function Default setting is at position (2)

Warranty

Morning Industry Inc. Warranty
Lifetime Warranty on Exterior Finish
25 Years Mechanical Warranty
1 Year Limited Electrical Warranty

Morning Industry Inc. warrants to the original residential user of this product will be free from defects in materials and workmanship, under normal use, for 1 year from the date of purchase. User must provide a copy of original purchase receipt. This warranty Does Not Cover abused or misused products or products used in commercial applications. All mechanical components carry a limited warranty, for a period of 25 years from the date of purchase. The Finish of the exterior of this lock carries a limited warranty of the lifetime of the unit against deterioration due to normal weather conditions. This warranty does not apply to locks that have been improperly installed, modified, put to a use other than a designed, or subjected to acts of god (such as floods, lightning, earthquakes, ect.)

This Warranty is limited to repairing, replacing or refunding the original purchase price of this locking only at Morning Industry Inc.'s sole discretion. Morning Industry Inc. will NOT be liable for the cost of installing, removing, nor reinstalling this product, nor direct, indirect, or consequential damage to persons or property resulting from the use of our product. Some states do not allow the exclusion or limitation of incidental or consequential damages, so the above exclusion may not apply to you. This warranty gives you specific legal rights and you may also have other rights that vary from state to state.

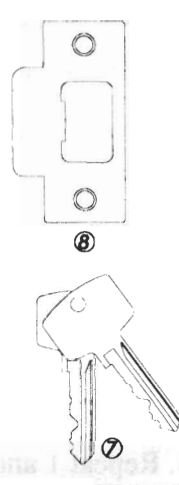
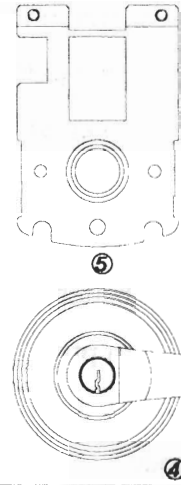
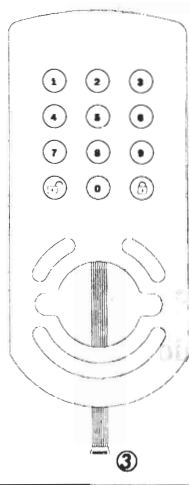
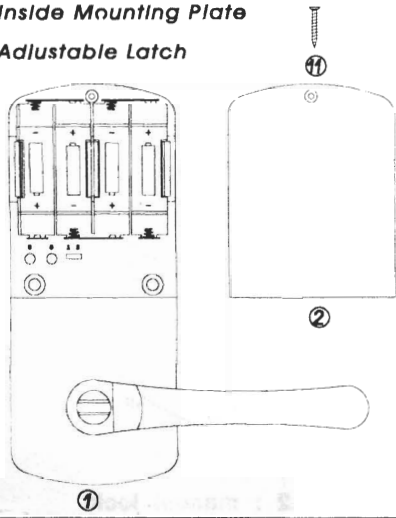
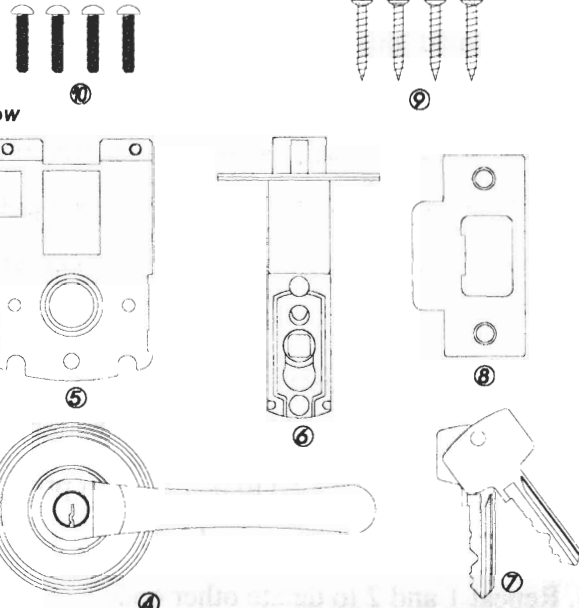
To Implement this warranty, please enclose a copy of purchase receipt, day and night time telephone number, and a check or money order of \$10.00 for Shipping and Handling Please return the lock with above information with S+H Charge freight prepaid to:

Morning Industry Inc.
234 S. 5th Ave.
La Puente, CA 91746

INSTALLATION AND PROGRAMMING INSTRUCTION

PARTS LIST

- ① Main Module / Inside Handle
- ② Battery Cover
- ③ Exterior Face Plate with Touchpad
- ④ Exterior Handle
- ⑤ Inside Mounting Plate
- ⑥ Adjustable Latch
- ⑦ Keys For Manual Over Ride
- ⑧ Strike Plate
- ⑨ Wood Screws
- ⑩ Mounting Screws
- ⑪ Battery Cover Screw



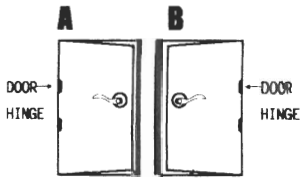
PREPARATION

DETERMINE HANDING OF YOUR DOOR

Stand at exterior side and face to your door.

A. Your door is a left handed door if hinges were installed at your left hand.

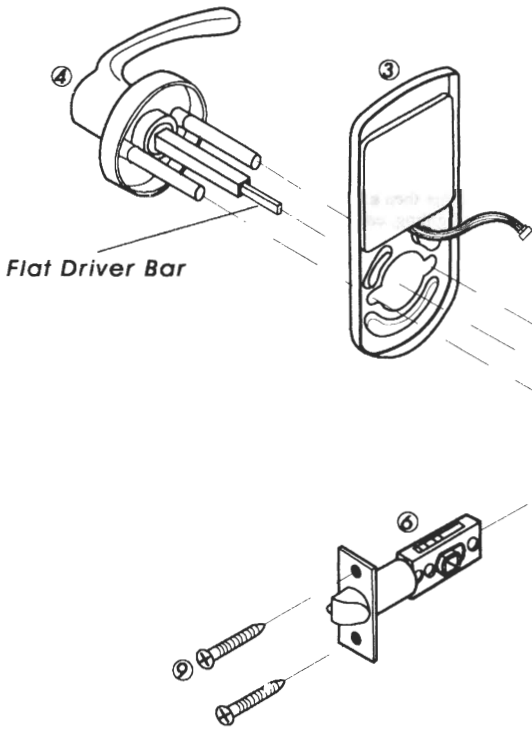
B. Your door is a right handed door if hinges were installed at your right hand.



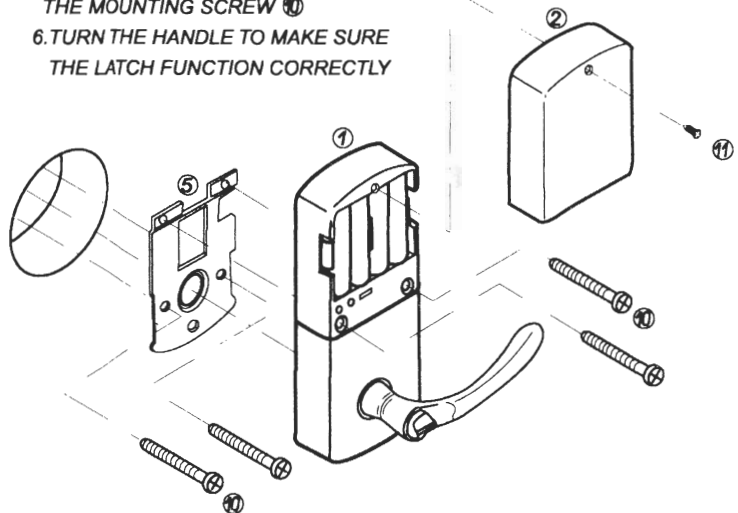
(1) MAKE SURE THIS LOCK UNIT FITS THE DOOR TO BE INSTALLED.

(2) REPLACING AN EXSITING LOCK FOLLOW THE DIAGRAM BELOW

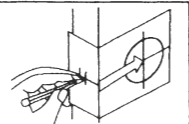
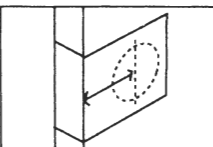
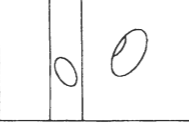
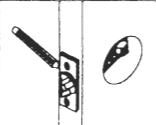
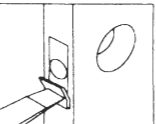
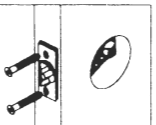
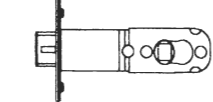
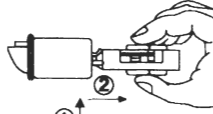
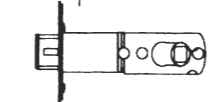
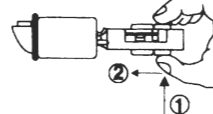
(3) NEW INSTALLATION ON NEW DOOR USE TAMPLATE ENCLOSED TO PREPARE DOOR.


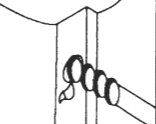
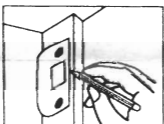
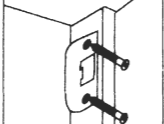


1. REMOVE ALL COPONENTS OF OLD LOCK FROM THE DOOR.
2. FOLLOW PROCEDURE 6 AND 7 TO INSTALL BACKSET
3. INSTALL PARTS ④, ③, ⑤, THEN CONNECT THE WIRING
4. INSTALL PARTS ① LAST
5. MAKE SURE THE FLAT DRIVER BAR AND THE THUMP TURN FIT CORRECTLY BEFORE TIGHTEN THE MOUNTING SCREW ⑩
6. TURN THE HANDLE TO MAKE SURE THE LATCH FUNCTION CORRECTLY



NEW DOOR PREPARATION

	<p>1. MARK DOOR Select 2-3/8" (60mm) or 2-3/4" (70mm) backset as desired and mark center of hole on door face. USE ENCLOSED TEMPLATE</p>		<p>6. VERIFY BACKSET PAK Backset is a distance from door edge to center of hole on door face. All locks are supplied with adjustable latch which can fit 2-3/8" (60mm) or 2-3/4"(70mm) backset. Just follow the steps shown below to change backset.</p>
	<p>2. DRILL HOLES Drill 2" (51mm) hole on door face from both sides to avoid wood splitting. Drill 1"(25.4mm) hole for latch .</p>		<p>7. ADJUSTING BACKSET All models come with adjustable latch. Adjustable latch was preset at factory for a 2-3/8"(60mm) backset . If a 2-3/4" (70mm) backset is required, please adjust as shown below. A.This latch is presently set for 2-3/8" (60mm) backset. B.Push up spindle cam in direction of arrow ① then pull in direction of arrow ② C.Your latch is now set for a 2-3/4" (70mm) backset. D.To reset 2-3/8" (60mm) backset just reverse procedure B. NOTE : Be sure to keep spindle cam square in correct position as illustrated before push spindle cam to left. Otherwise you will have difficulty in pushing spindle cam to left.</p>
<p>A</p>  <p>B</p>  <p>C</p> 	<p>3. INSTALL LATCH A.Insert latch in hole and keep it parallel to door face. Mark outline of face plate and remove latch . B.Chisel 1/8" (3mm) deep or until face plate flush with door edge. C.Insert latch and tighten screws.</p>	<p>A</p>  <p>B</p>  <p>C</p>  <p>D</p> 	

<p>A</p>  <p>B</p> 	<p>4. INSTALL STRIKE A.Close door until latchbolt touches jamb to locate strike in jamb and center line of strike. Open door and extend line from mark to door stop. Measure on half of door thickness from door stop and vertically mark drill point center for strike. B.Drill 1"(25.4mm) hole 1/2"(13mm) deep in door jamb on drill point for strike.</p>	<p>C</p>  <p>D</p> 	<p>CAUTION: To ensure proper lockset function, hole in jamb must be drilled a full 1/2"(13mm) deep. C.Match screw holes on strike with center line on jamb Outline outside edge of strike. Chisel 1/16" (1.6mm) deep for strike D.Adjustable tang on strike permits bending in or out to eliminate too loose fit between door and door stop.</p>
---	---	---	--

