

Racor Heavy Lift

Assembly and Installation Instructions

IMPORTANT

Please read this before beginning installation!

Please read instructions carefully prior to installing the Heavy Lift. Before using please test thoroughly before placing persons or objects below the elevated platform. Test with intended weight (up to 250 Lbs. of evenly distributed static weight) on platform as close to the floor as possible.

Racor, Incorporated shall not be held liable for incidental, special or consequential damages resulting from the use of Heavy Lift .

Do not install more than one Heavy Lift on a common ceiling joist, rafter or stud.

Racor, Incorporated shall not be held liable, and the customer, retailer or installer releases Racor, Inc. of all claims for personal injury or damage to possessions as a result of improper installation or product failure as a result of overloading, unintended use, product modification, poor quality of mounting surface, other abuses of the product outside of lifting static weight of less than 250 Lbs. to the ceiling, not testing Heavy Lift before placing valuables or persons below the raised unit. Do not hang from the Heavy Lift loaded or unloaded. Never allow play around or under installed Heavy Lift.

Racor, Incorporated goes to great lengths to ensure that the product you receive is of the highest quality. If upon inspection of the components you notice damaged or defective parts call 800-783-7725 for replacements between the hours of 8 AM and 5PM PST Monday through Friday.

IF YOU ARE IN DOUBT OF INSTALLING THIS PRODUCT, PLEASE CONTACT A PROFESSIONAL

All fasteners must be tightened and checked once a year.

For assistance please call 800-783-7725

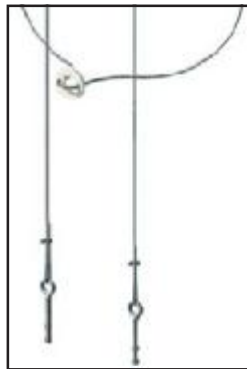
racor®
HOME STORAGE PRODUCTS

Racor Heavy Lift

Assembly and Installation Instructions

Additional Tools Required: Stud Finder, Adjustable or Box End Wrench, Cordless Drill/Driver, Pencil, 4 Ft. Straight Edge or Chalk Line

Parts List:



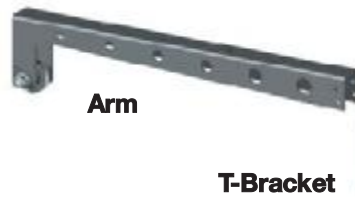
(2) Cable Assemblies - Cable, Nylon Stops, Lag Screws, Washers, & Nuts



(1) Bearing Cover



(1) Bearing



(2) Arm Assemblies

(1) Winding Crank - Hook side
 (1) Winding Crank - Crank side
 (1) Winding Crank Sleeve
 (1) Winding Crank - Screws and Nuts



(2) Wire Grids

(1) Allen Wrench



(1) Center Spindle - Square end

(1) Center Spindle - Round end



(2) Wire Grid Beam Supports



(1) Gear Drive

(4) Screws
 (4) Nuts

(20) Drywall Screws



(4) Nuts for Cap Screws



(8) Allen Head Cap Screws



(2) Hex Head Screws
 (2) Fender Washers

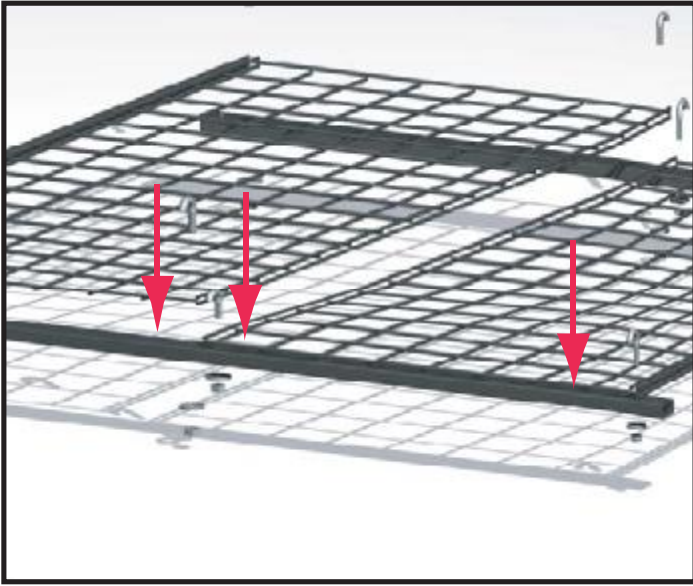


(4) Long Machine Screws
 (8) Washers
 (4) Nuts

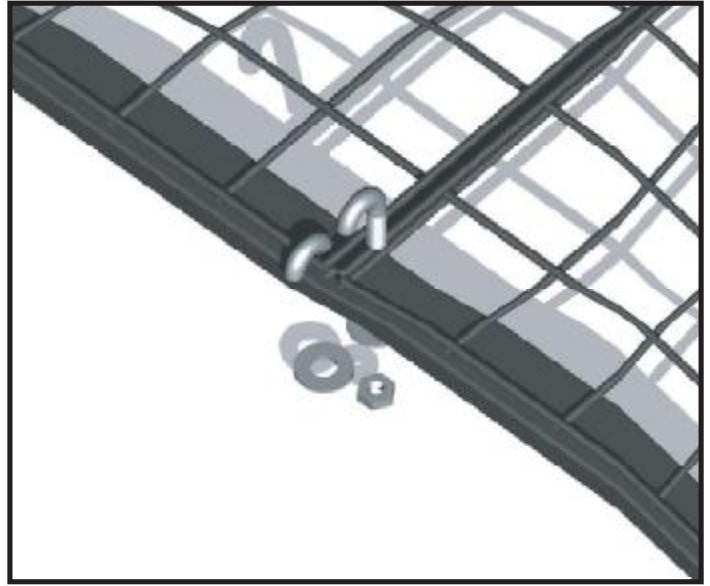


(8) "J" Hooks
 (8) Washers
 (8) Nuts

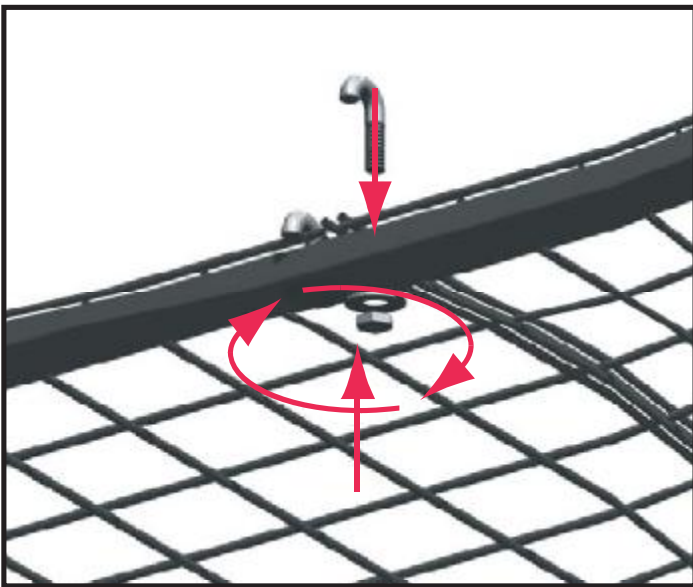




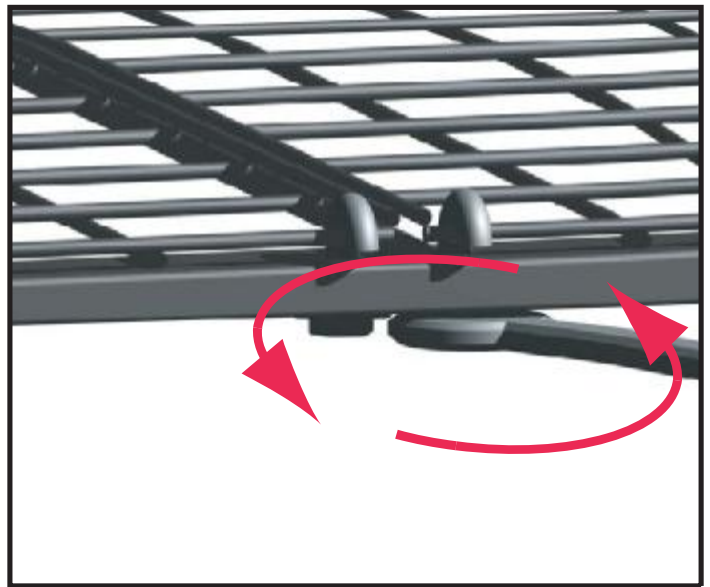
1 Lay Grid on top of rectangular beams, with the smaller holes on top, toward the outside edge. Slide "J" Bolts through top holes.



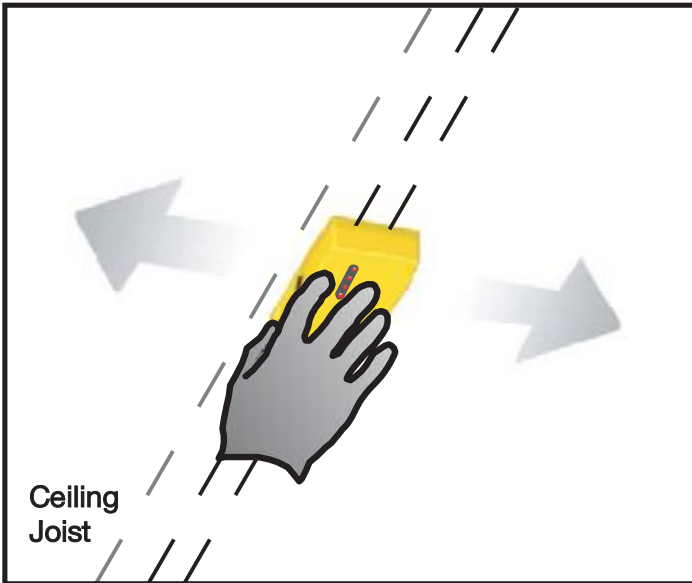
2 Slide "J" Bolts through top holes and hook over edges of grid.



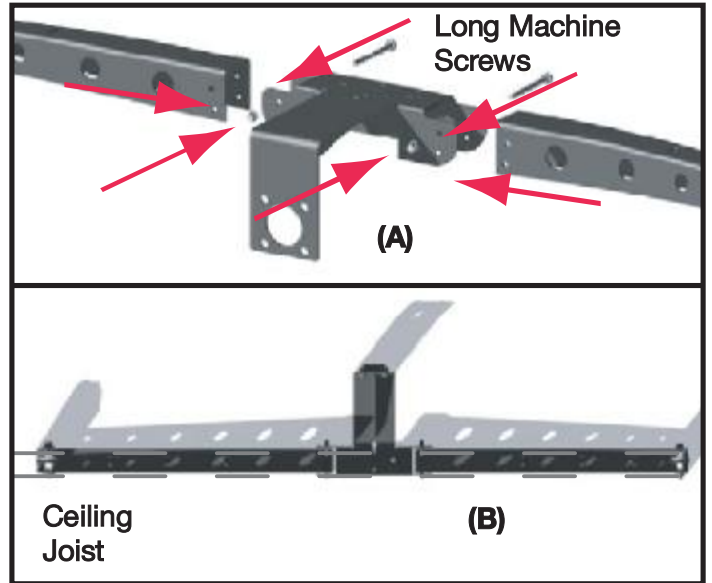
3 Align "J" Bolt with bottom hole.



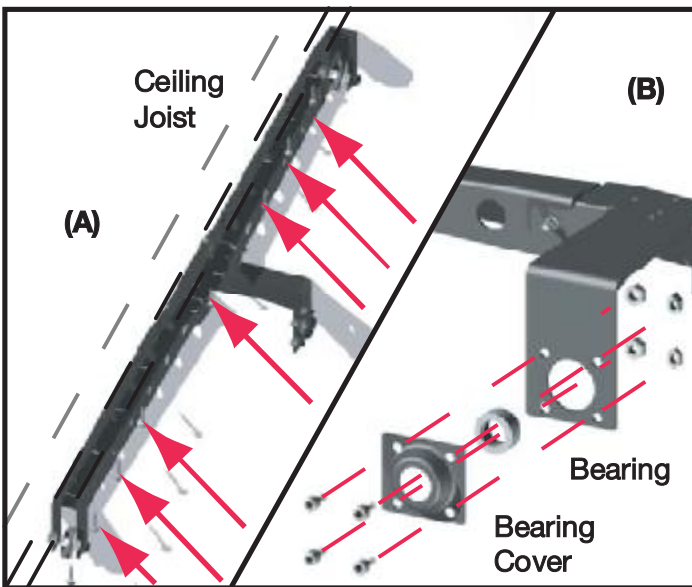
4 Screw on the washer and nut to the "J" Bolt and tighten with Adjustable or Box End Wrench.



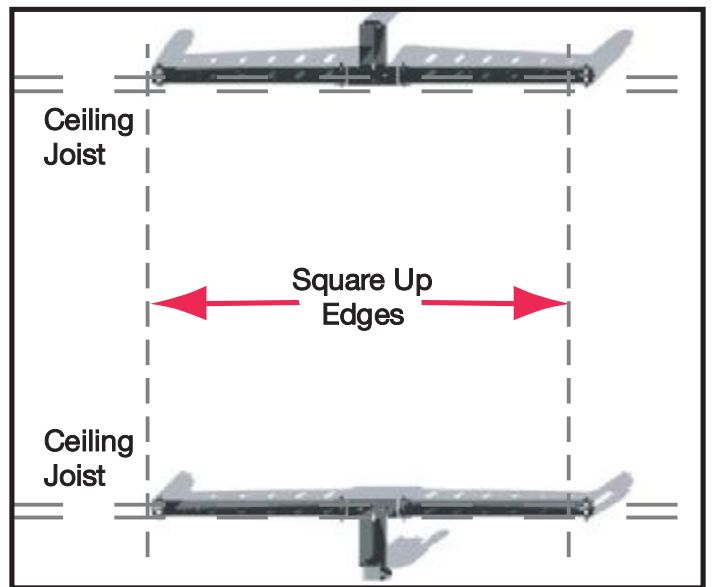
- 5** Find ceiling joists 48" apart for Arm attachment. If Arms are being placed at 90° to the ceiling joists, first attach Arms to a 1.5" thick board that is 2.5"W x 48"L. Then attach board to ceiling joists. If joists 48" apart cannot be found, attach Arm to board that is 1.5" thick, 2.5" wide, and long enough to span 2 ceiling joists for attachment.



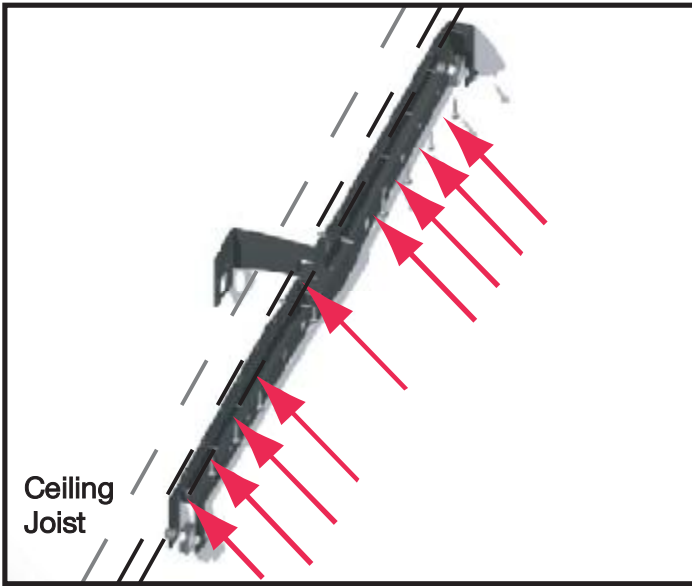
- 6** Fasten Arms to T-Brackets by threading Long Machine Screws through top holes in both arms and bracket (A). Secure with nuts. Next, make sure to square up Arms along the joist line on ceiling (B).



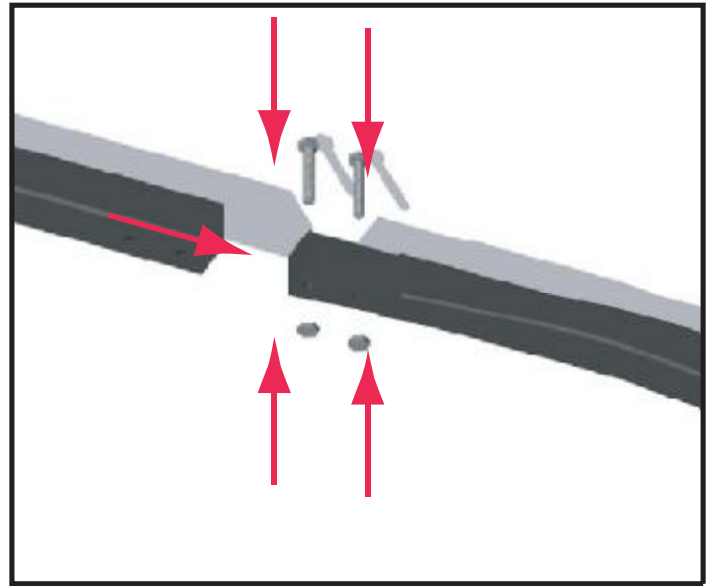
- 7** Attach Arm to ceiling joist (A). For most secure installation, mark holes and pre-drill with 1/8" bit, then insert a screw in each hole on the Arm. Next, attach the Bearing Cover and Bearing with 4 Allen Head Cap Screws and Nuts (B).



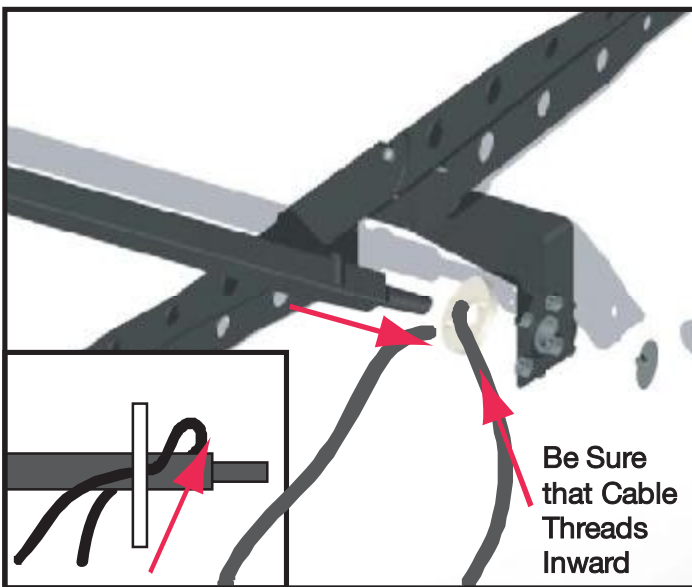
- 8** Make sure to square up Arms along the joist line before mounting second Arm assembly; Also make sure that Arm assemblies are square to each other.



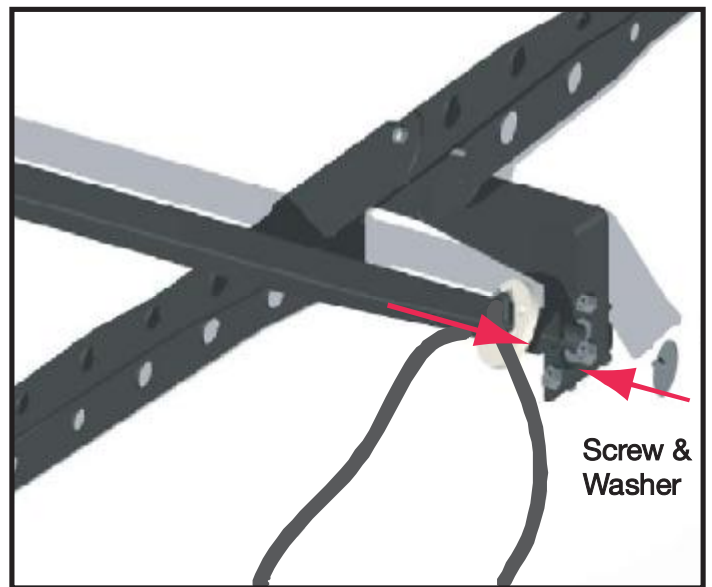
9 Repeat installation for other side, making sure "L Bracket" side faces away from other Arm.



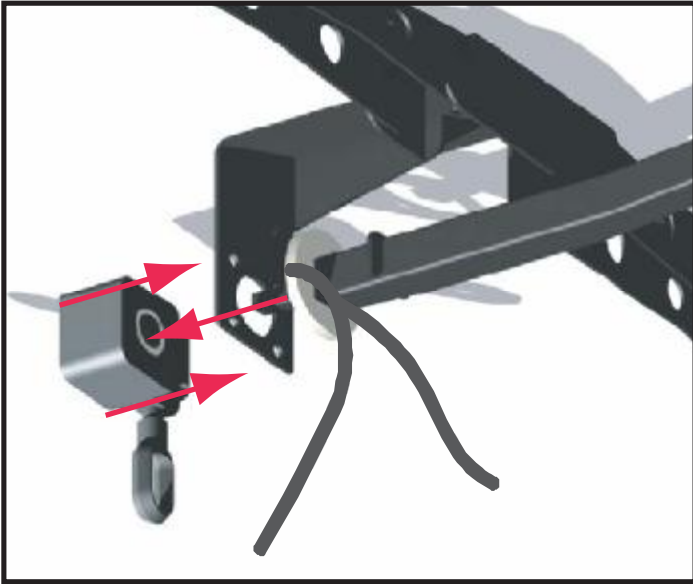
10 Assemble Square Winding Axle and secure with included screws and locknuts.



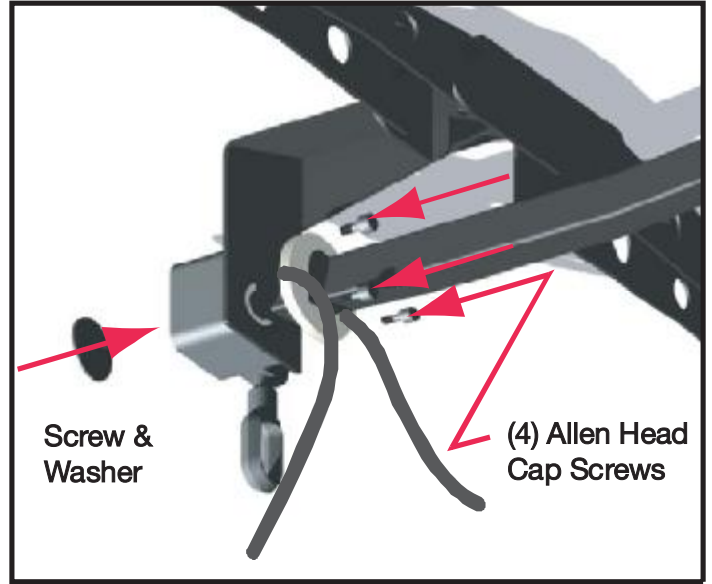
11 Slide nylon cable ring over ROUND END of winding axle. Cable should be placed over TOP of square axle, as illustrated.



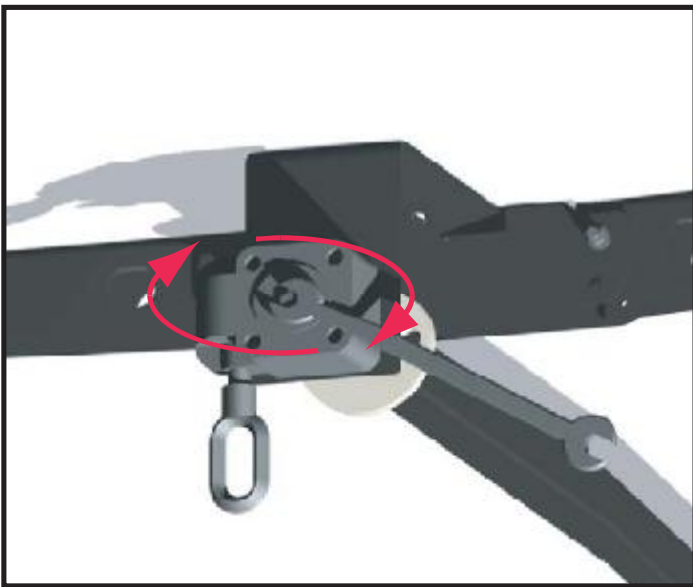
12 Slide ROUND END of winding axle into bearing assembly, NOT Gear Drive side, on "L Bracket". Secure screw and washer into end of winding axle assembly.



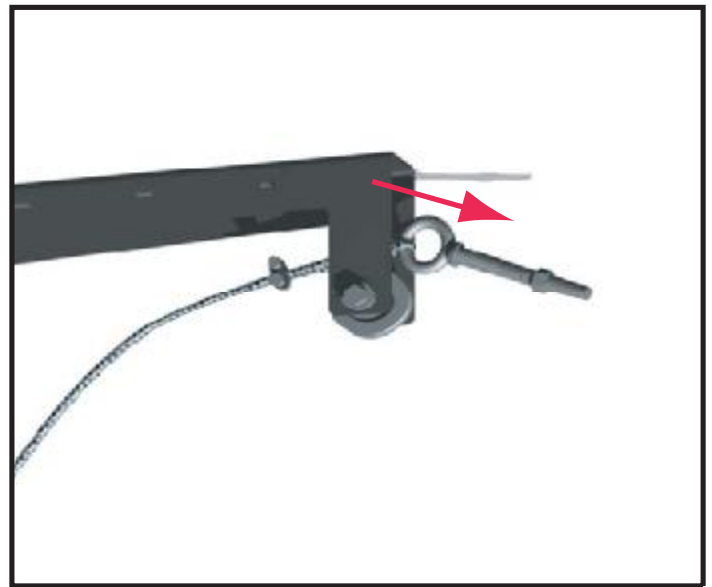
13 Slide nylon cable ring over Other end of winding axle. Cable should be placed over top of square axle. Then slide assembly through hole and slide square end into Gear Drive.



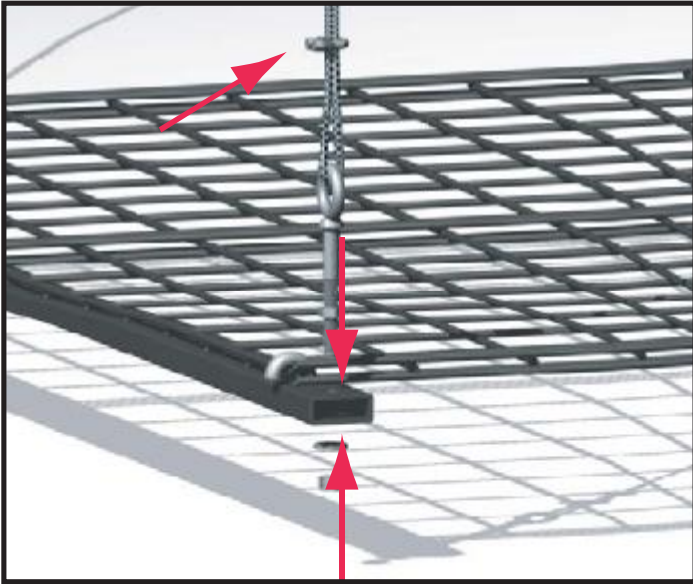
14 Secure Gear Drive with supplied Allen Head Cap Screws and Allen Wrench.



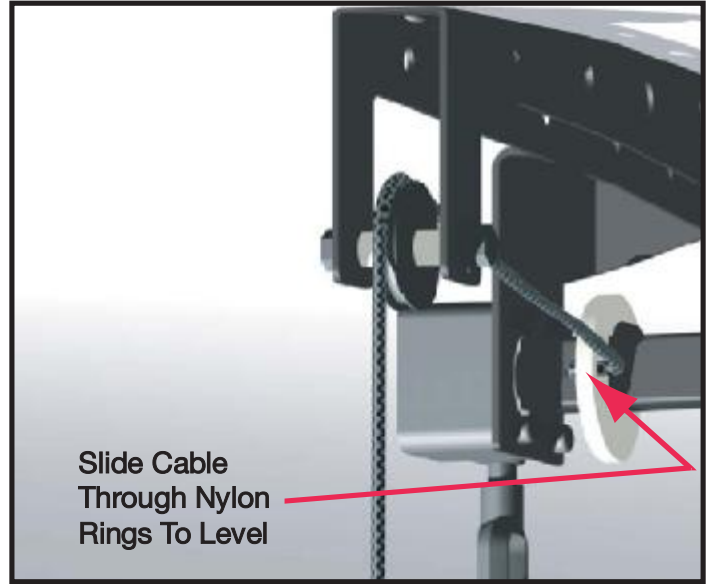
15 Secure screw and washer into end of assembly.



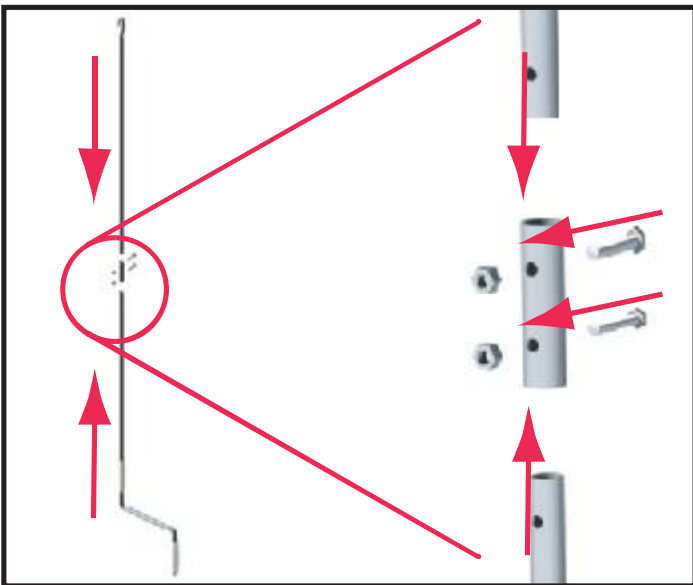
16 Thread Bolts and Cables through the Pulley assembly at each corner of the Arms.



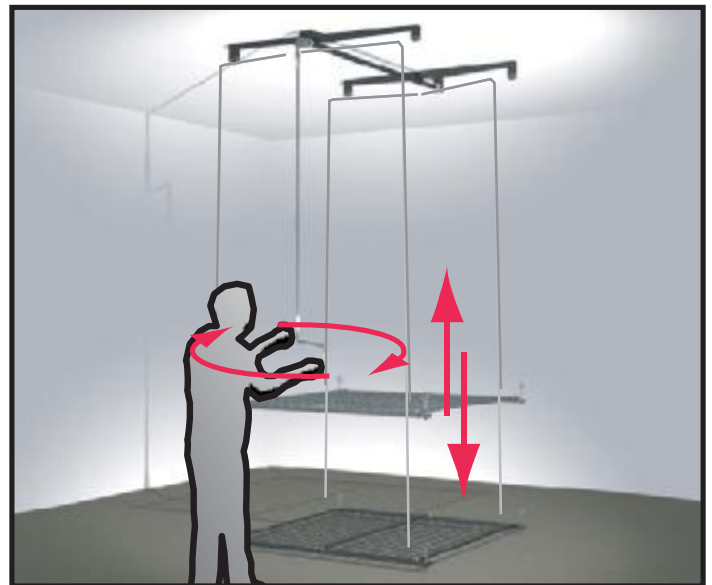
17 Attach bolts to all 4 corners of base using supplied nuts and washers. Be sure to tighten all cable clips before loading platform (see arrow at top).



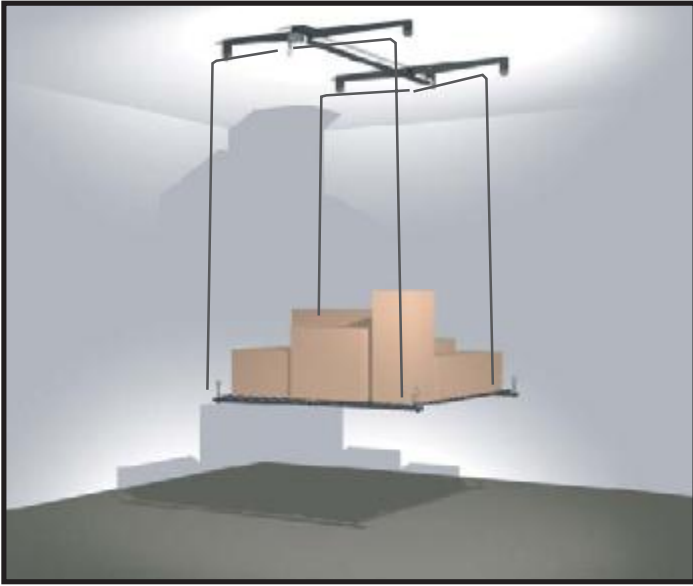
18 Level platform by pulling cable through Nylon Rings.



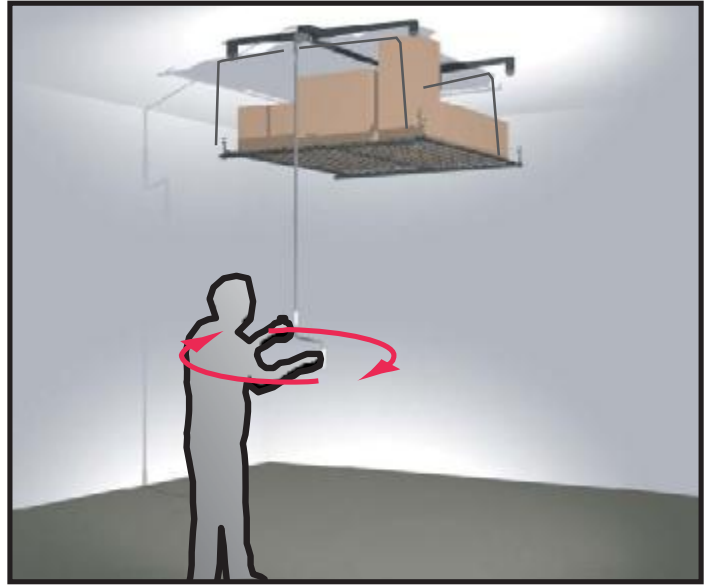
19 Assemble Winding Crank with sleeve, locknuts, and bolts as shown.



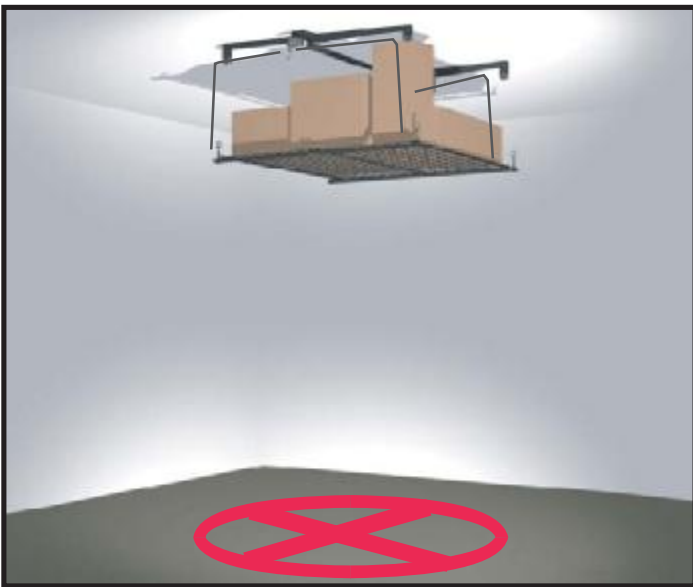
20 Test platform by winding up and down several times.



21 Lower platform to waist level and load with up to 250 Lbs., evenly distributed.



W WARNING! TEST BY RAISING PLATFORM TO CEILING. DO NOT STAND UNDER PLATFORM WHILE RAISING.



W WARNING! DO NOT PARK CAR OR WALK UNDER FOR AT LEAST 1 HOUR, TO BE SURE THAT UNIT IS INSTALLED SECURELY. NEVER ALLOW PLAY ON OR AROUND INSTALLED HEAVY LIFT

For Assistance:

Racor, Inc.
800-783-7725
www.racorinc.com

racor®
HOME STORAGE PRODUCTS