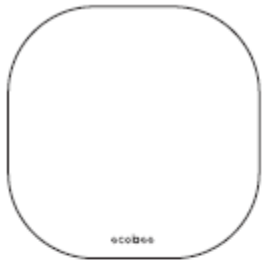


First things first. Here's what you'll find in the box.



ecobee thermostat



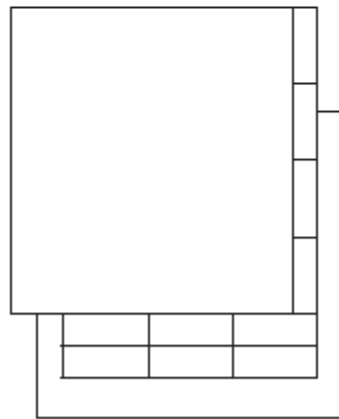
ecobee backplate



Power Extender Kit  
(PEK)



Trim plate

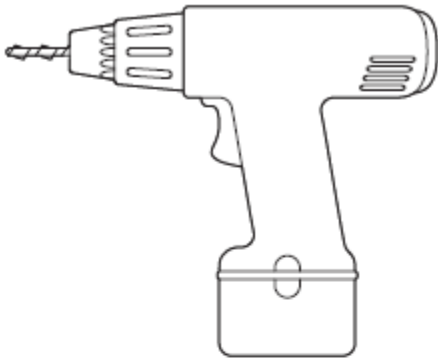


Install guide (this booklet)  
and wire labels



Drywall plugs

You'll also need these tools:



Drill for mounting anchors  
(3/16" drill bit)

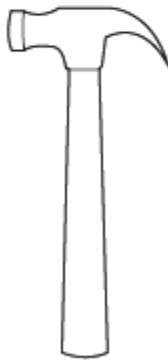


Small flathead  
screwdriver



Phillips  
screwdriver

#### OPTIONAL



Hammer



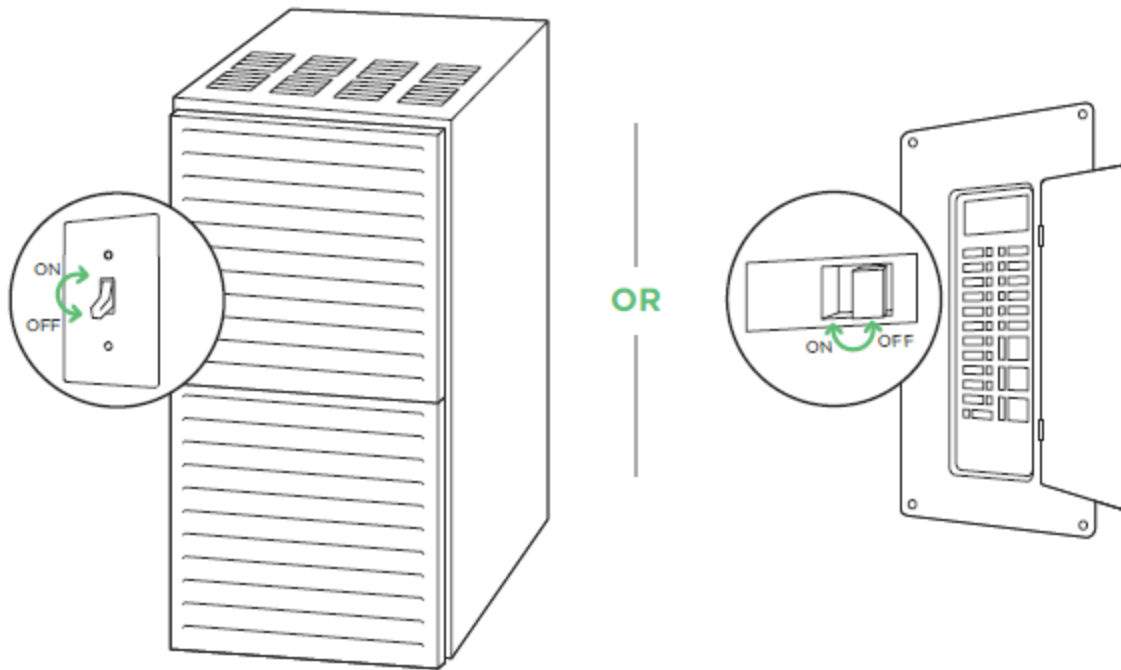
Pencil



Wire stripper

### STEP 1

Power off your Heating, Ventilation and Air Conditioning (HVAC) system by using the master switch or circuit breaker box. This is important for your safety.

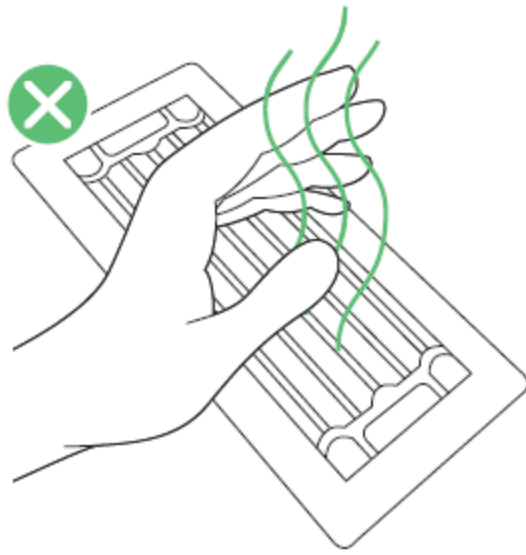


**TIP:**

Look for your master switch or circuit breaker box in the basement, attic, utility closet, or behind a wall panel near the thermostat.

**STEP 2**

Confirm your system is off by turning on your heat (during winter) or your AC (during summer). Wait a few minutes - you should not feel air coming from your vents.



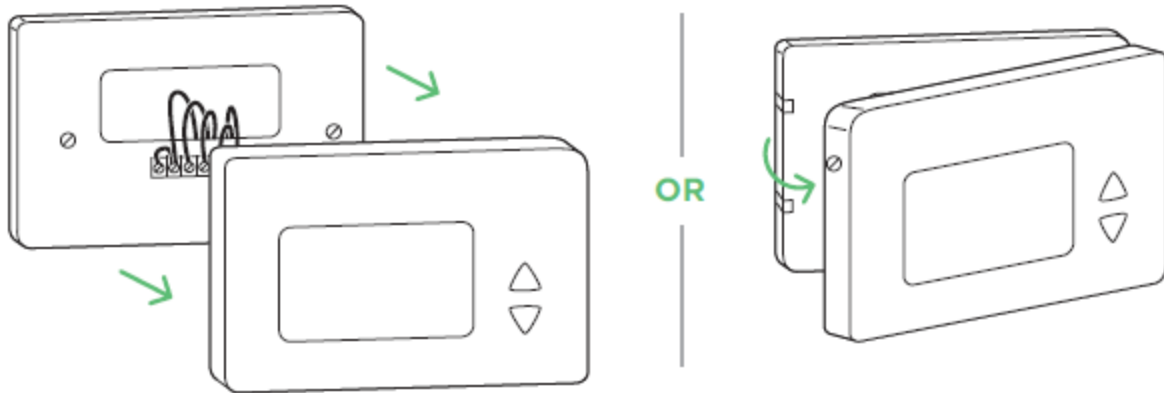
**TIP:**

If you have a boiler, check to see that the main flame is extinguished.

**STEP 3**

Remove your old thermostat cover from the wall.

Remove your old thermostat cover from the wall.

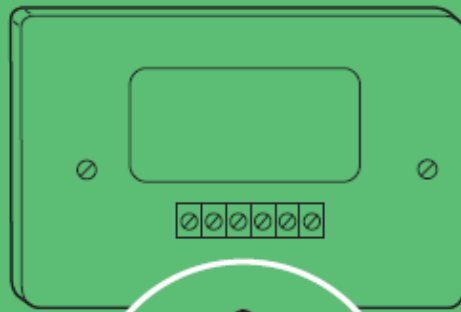


**TIP:**

Many thermostats simply pop off or unclip from the base, while others may have screws that you will need to remove.

## ✓ CHECKPOINT: COMPATIBILITY

Does your old thermostat's backplate have any of these indicators?



WARNING  
HIGH VOLTAGE

110 VAC  
OR  
120 VAC  
OR  
240 VAC

YES

**Sadly, you might  
not be compatible**

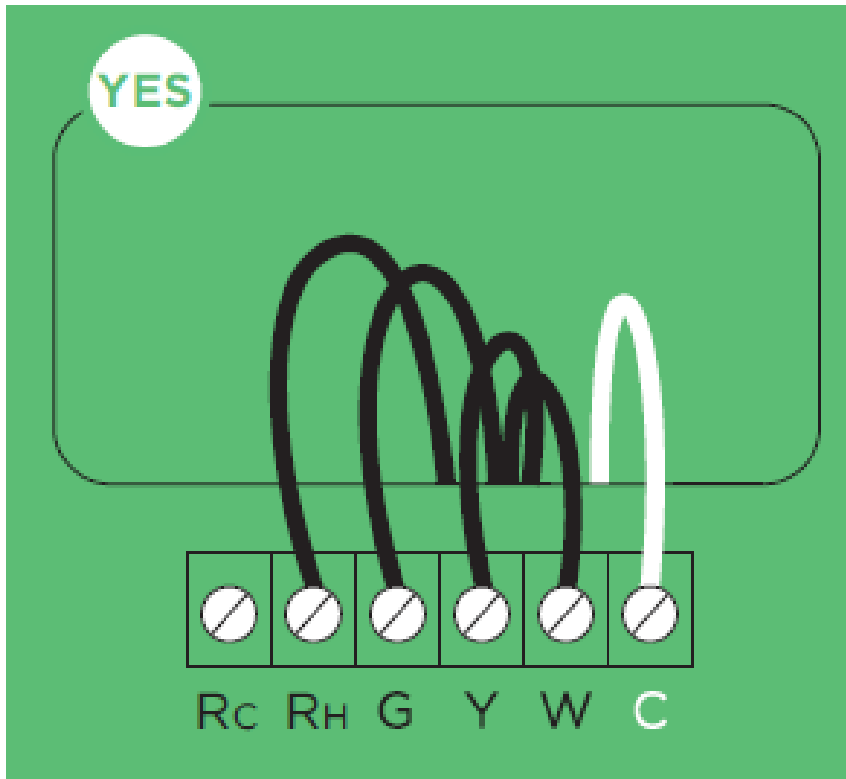
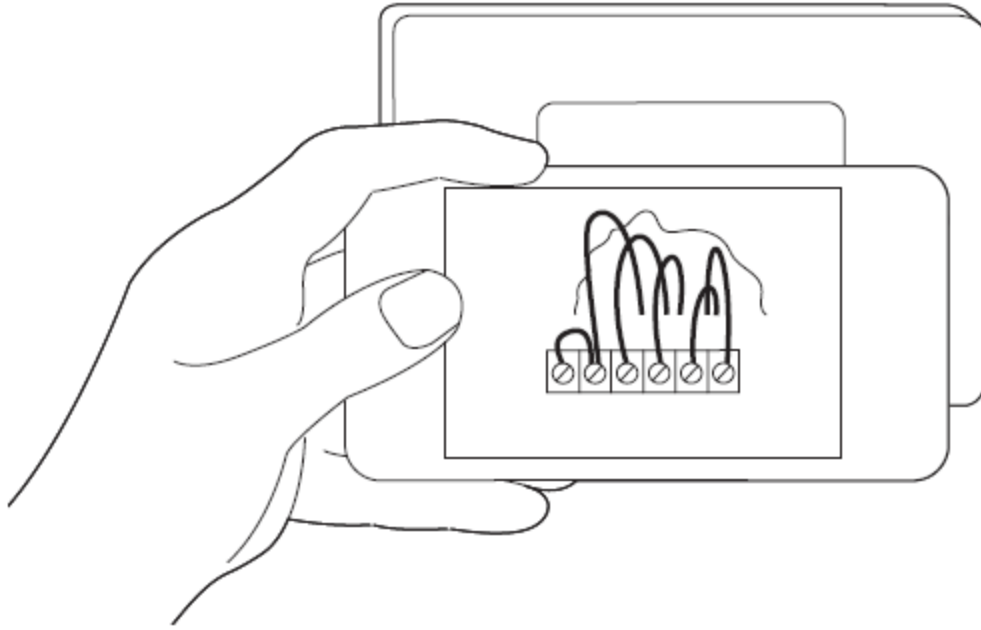
You can double check here:  
[ecobee.com/compatibility](http://ecobee.com/compatibility)

NO

**Great, please  
continue to  
the next page**

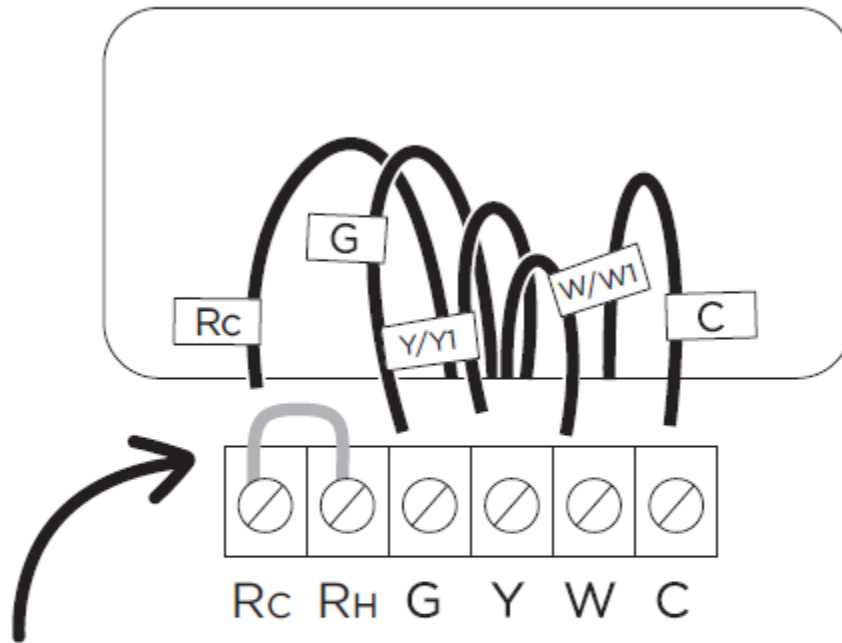
### STEP 4

Take a picture of the wires connected to the terminals of your old thermostat. You may need to reference this photo later on.



## STEP 5

Carefully disconnect and label the wires from your old thermostat one at a time, using the labels provided.



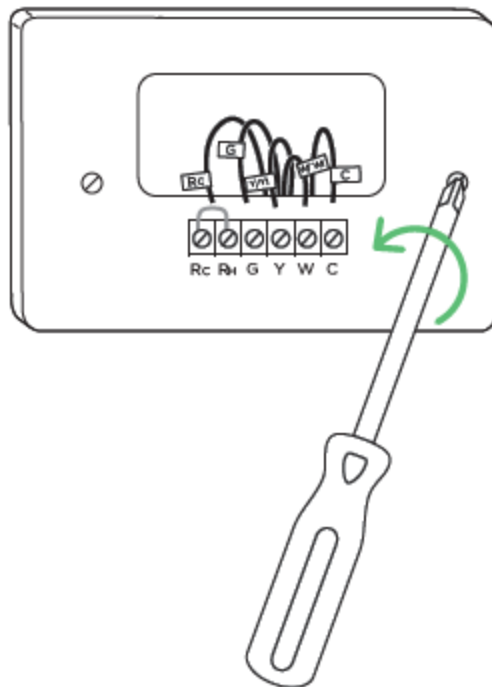
### TIP:

If you have a jumper between Rc, Rh or R, leave it alone. Only label the wires that run from your wall into a terminal block.

## STEP 6

Unscrew the mounting plate of your old thermostat to remove it from the wall.



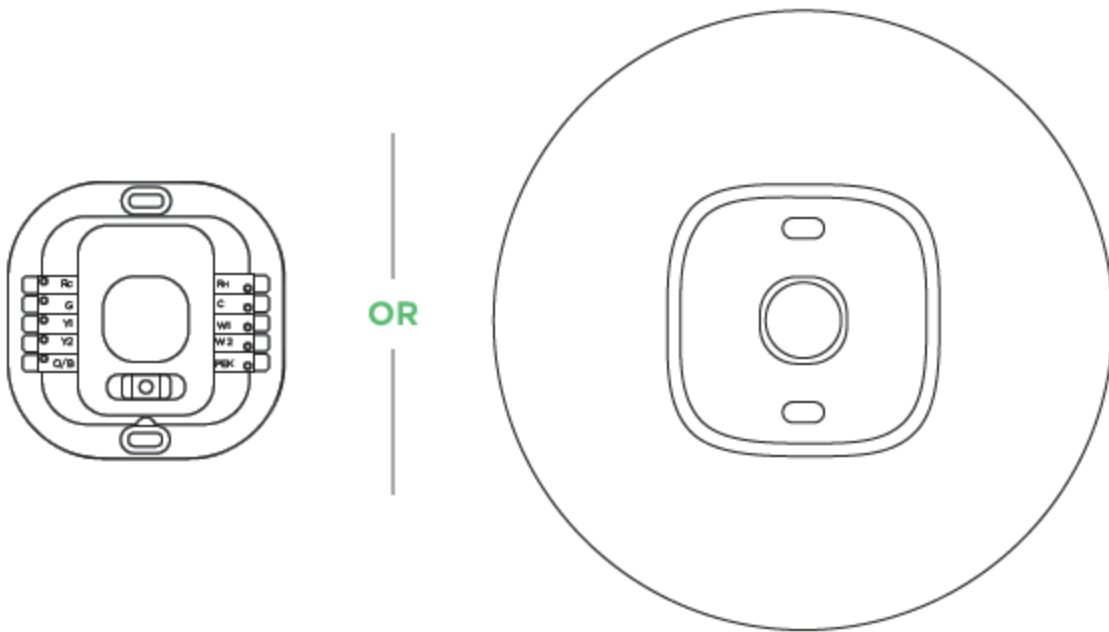


**WARNING:**

Be careful, as some thermostats may contain mercury. Recycle your old thermostat safely with your local hazardous waste facility.

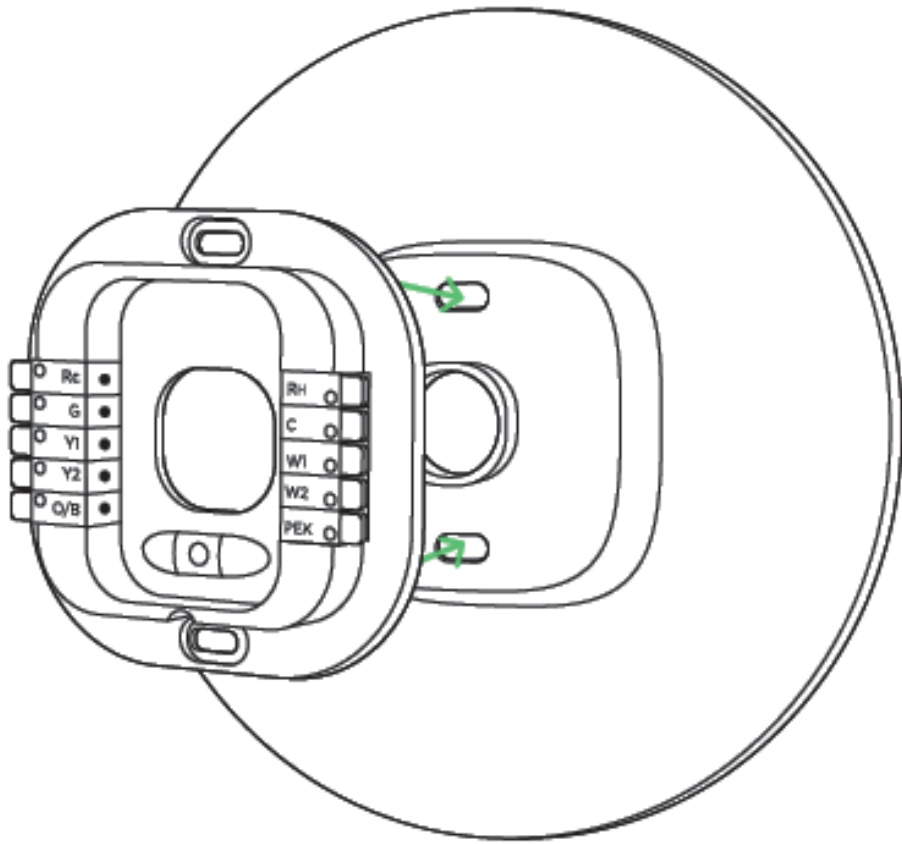
**STEP 7**

Decide if you want to use the trim plate with your ecobee. The trim plate is useful if you want to hide marks or holes left on the wall by your old thermostat.



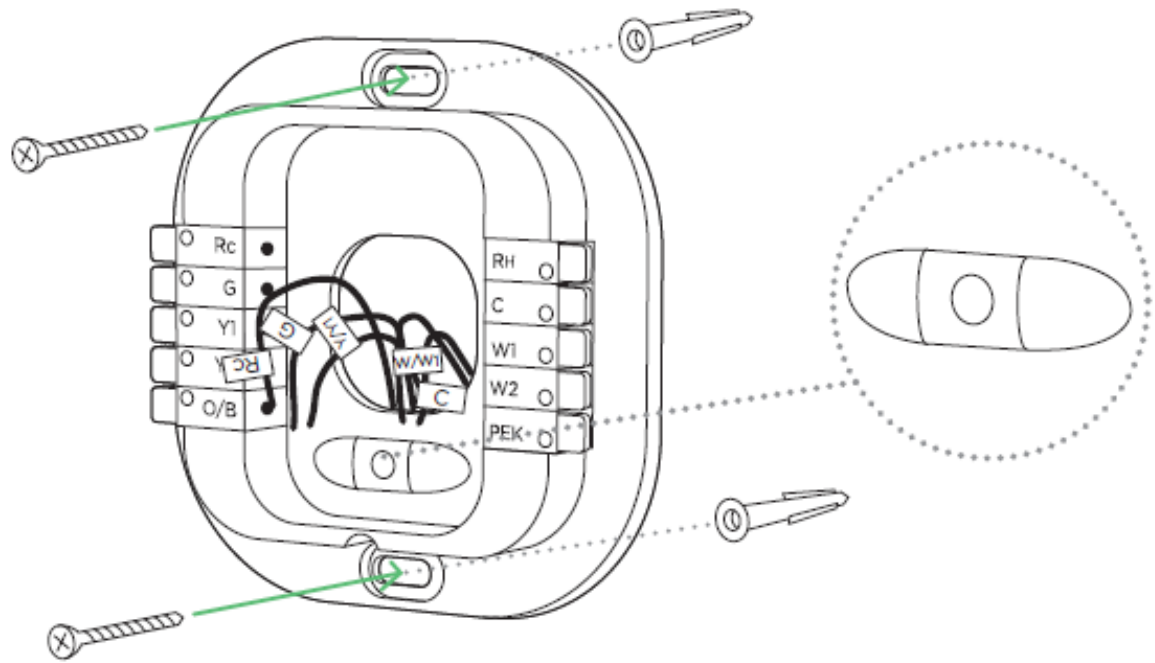
***STEP 8 : OPTIONAL***

*If using the trim plate, align the mounting holes on the trim plate and backplate and press them into place together.*



## STEP 9

Pull the wires through the hole in the middle of the backplate and then attach the backplate to the wall using the drywall anchors and screws provided.

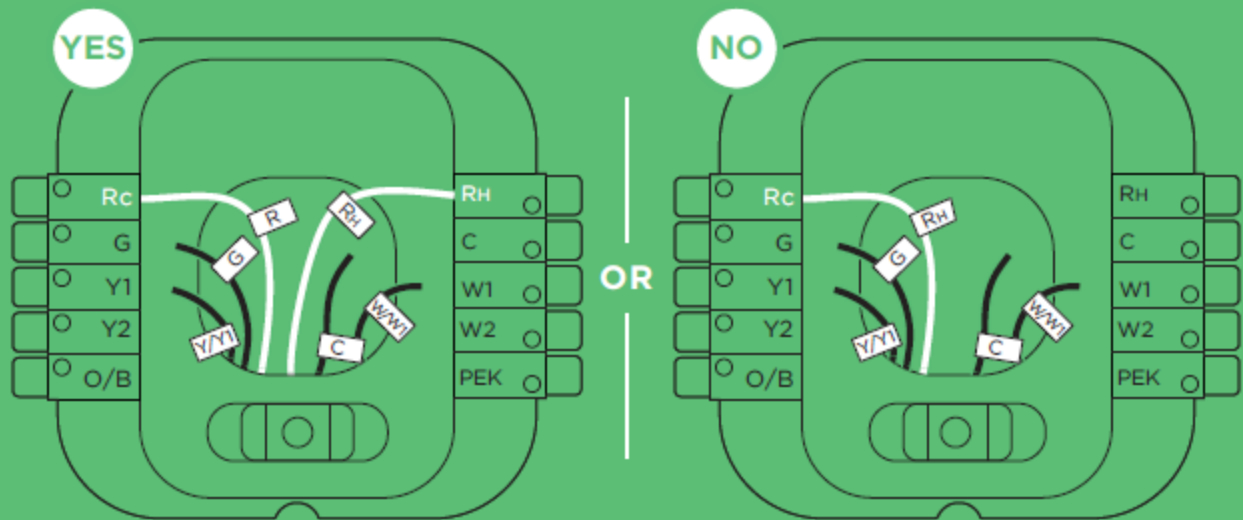


**TIP:**

Use a 3/16" drill bit to drill a hole for the drywall plugs.

✓ CHECKPOINT: INSERT YOUR R WIRE(S)

Do you have more than one R wire?  
(That includes R, Rc, and Rh)



YES

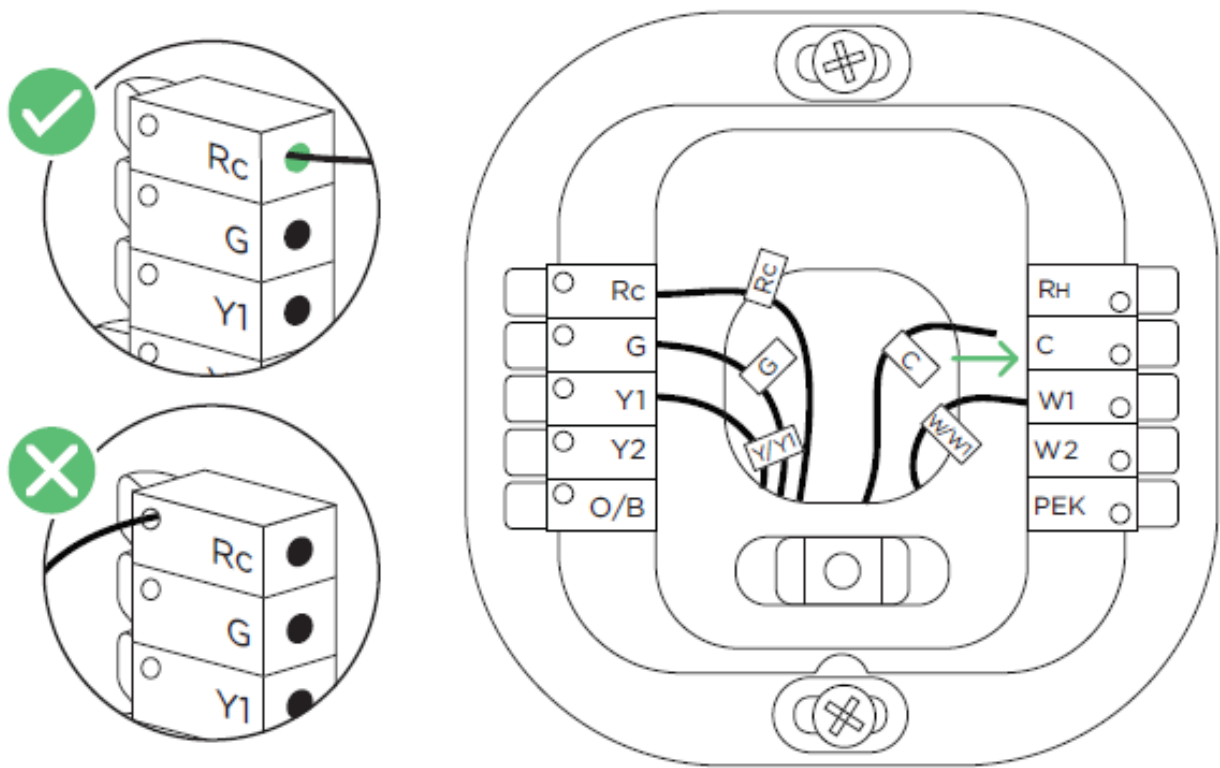
Insert your wires:  
R OR Rc → Rc  
Rh → Rh

NO

Insert your single  
R, Rc or Rh wire into  
the Rc terminal.

**STEP 10**

Insert your remaining wires into the *side* (not the front) of their corresponding terminal blocks.

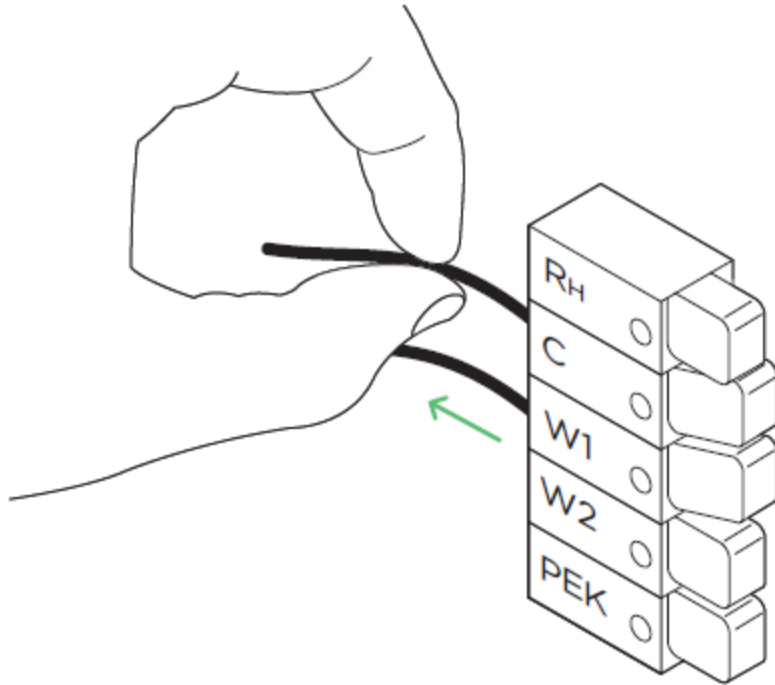


**TIP:**

Press the terminal block levers to insert the wires more easily.

**STEP 11**

Tug on the wires gently to ensure they are securely connected.

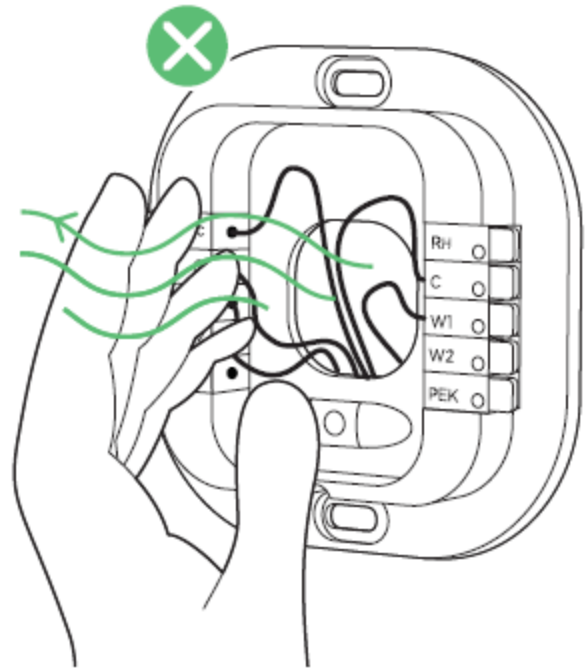
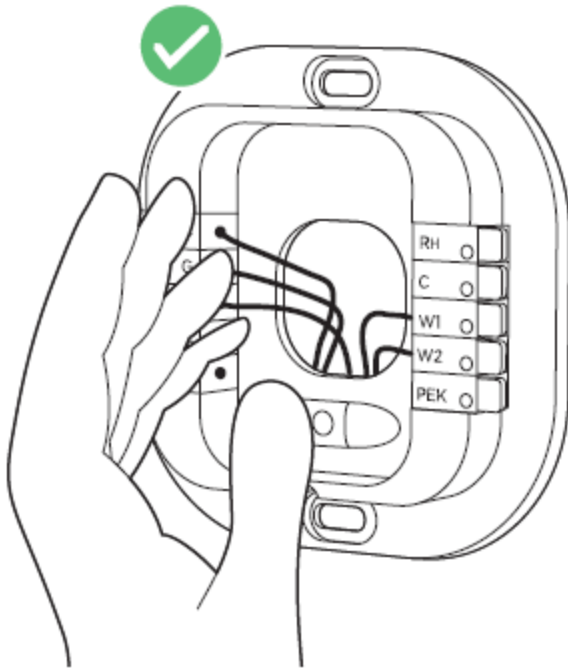


**TIP:**

When a wire has been connected correctly, the lever on that block will lower.

**STEP 12**

Carefully push any excess wire back into the hole and ensure there are no drafts coming from the hole(s) in the wall



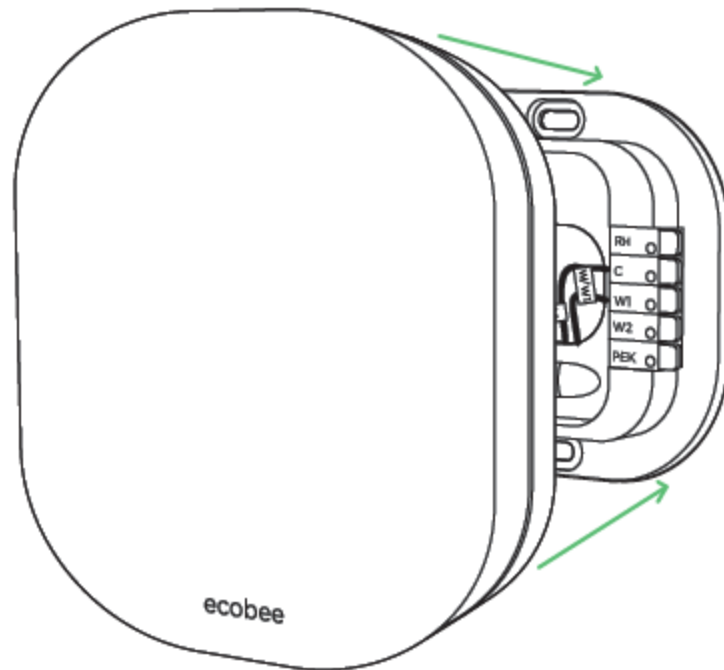
**TIP:**

Large holes behind your thermostat will affect temperature readings. Prevent drafts by covering the hole(s).

**STEP 13**

Gently press your ecobee thermostat into the backplate until it ‘clicks’ into place.



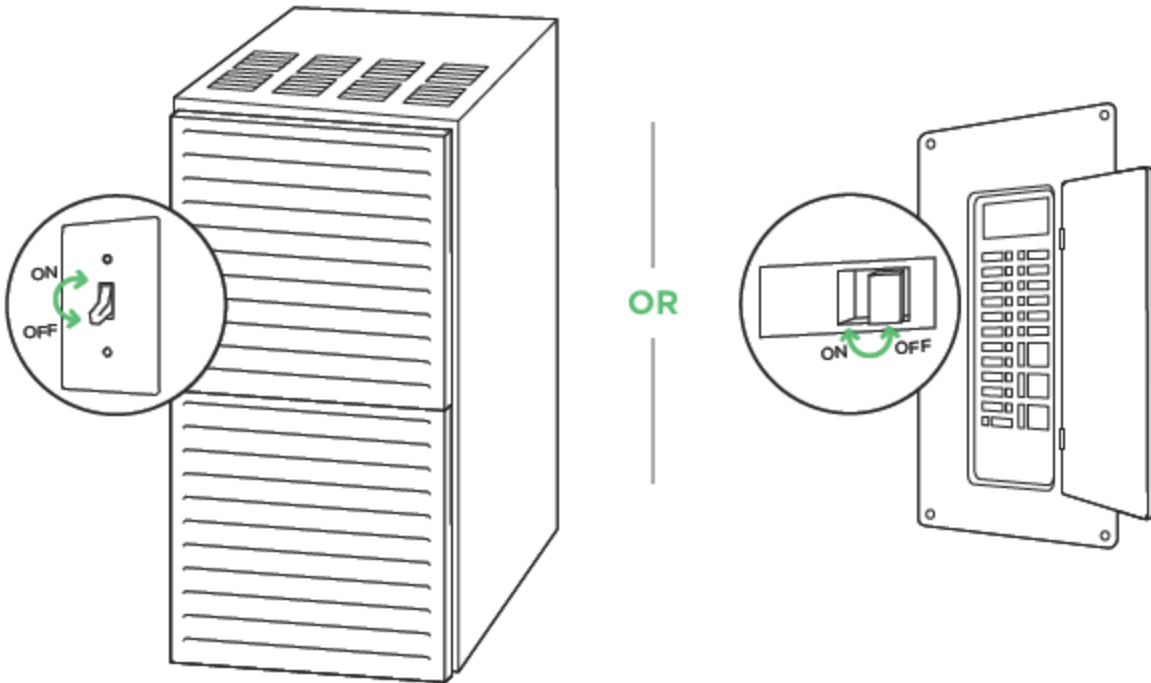


**TIP:**

If the thermostat 'rocks' or is not flush with the wall, be sure the excess wires are pushed all the way into the wall.

**STEP 14**

Turn the power to your HVAC system back on using the master switch or at the circuit breaker box.



**STEP 15**

Say hi to your new ecobee! The screen will power on and guide you through the set-up and registration.



**TIP:**

If your thermostat does not power on, please see the troubleshooting tips in the 'Extras' section.