

# Endura Flap Wall Mount Installation Instructions

*for single and double flap models*

This package contains:		Tools required:
<i>For single flap wall mounts:</i>	<i>For single &amp; double flap wall mounts:</i>	Pencil Drill with 3/8 inch drill bit Level Jigsaw or reciprocating saw Phillips head screwdriver
1 flap frame 1 trim frame	8 hole plugs 4 1-3/4 inch screws 4 2-1/4 inch screws 4 2-3/4 inch screw	
<i>For double flap wall mounts:</i>	2 weather-strips 1 warranty information 1 installation template	
2 flap frames 4 tunnel pieces 1 tube of silicone		

**WARNING:** Do not cut into electrical wires under any circumstances while trying to install your Endura wall mount pet wall. Cutting into electrical wires may result in severe injury or death. If you have any doubt in your ability to install your new Endura wall mount pet wall, Patio Pacific strongly suggests having a fully licensed and insured general contractor install your Endura wall mount pet wall for you.

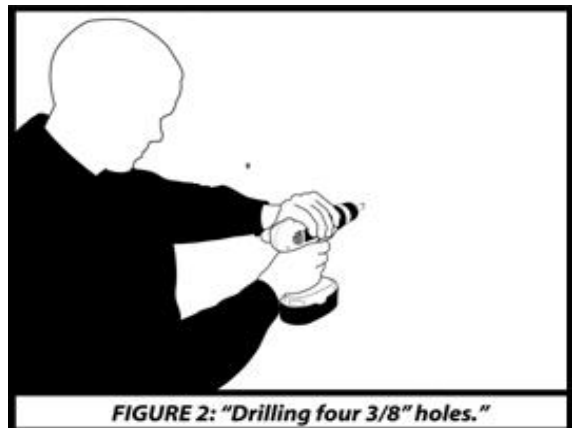
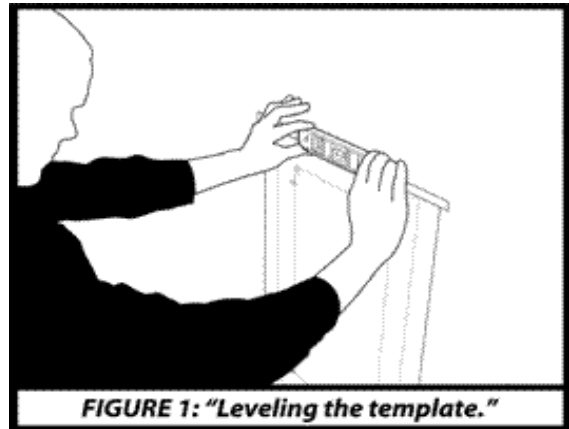
**NOTE:** A minimum of 14-5/8 inches is required between studs to install the -12 Endura wall mount.

## Installation Instructions

1. Tape the provided template to the wall. The top edge of the cut-out line should be 1-1/4 inch (or more) above the dog's withers (shoulders) for the single flap wall mount, and 2 inches for the double flap wall mount. Be careful not to unduly reduce the strength of the wall by cutting too close to the bottom of the wall. Level the top edge of the cut-out line as shown in Figure 1.

2. Mark the hole centers for the four holes and remove the template.

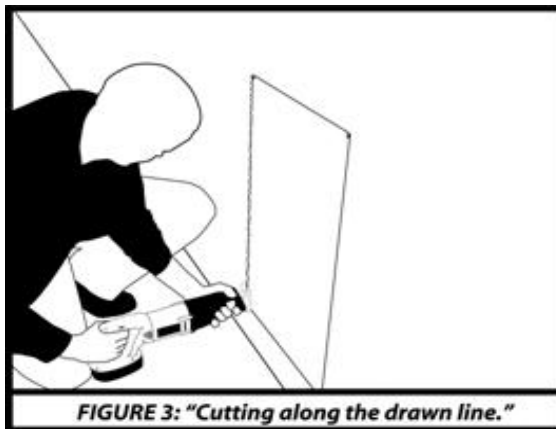
3. Drill the four 3/8 inch holes as shown in Figure 2.



4. Draw lines to connect the outsides of the holes using a straight edge as shown on the template.

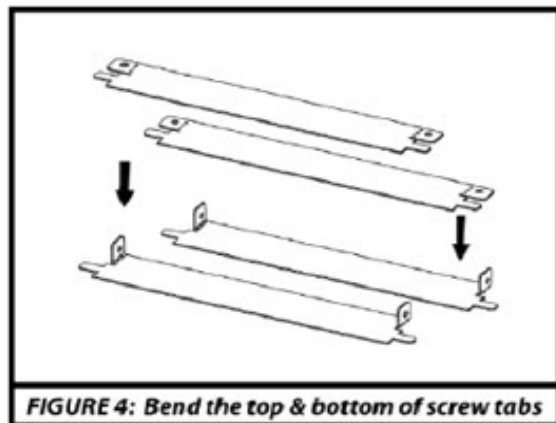
5. Cut along the line as shown in Figure 3.

6. Install the weather-stripping into the groove on both frames with the start/end gap at the bottom.

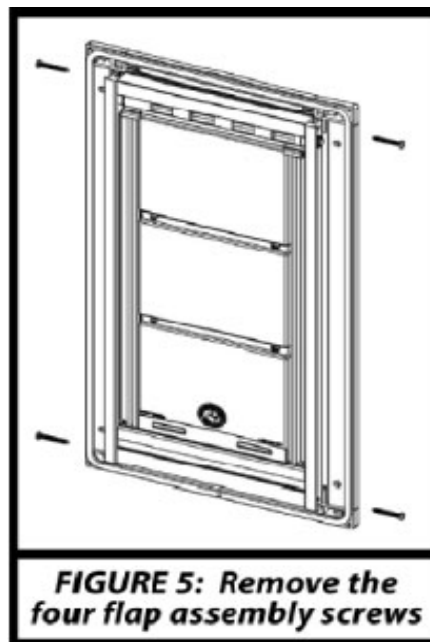


7. If a single flap wall mount, place the pet wall trim frame on the outside of the wall and the flap frame on the inside and skip to Step 14.

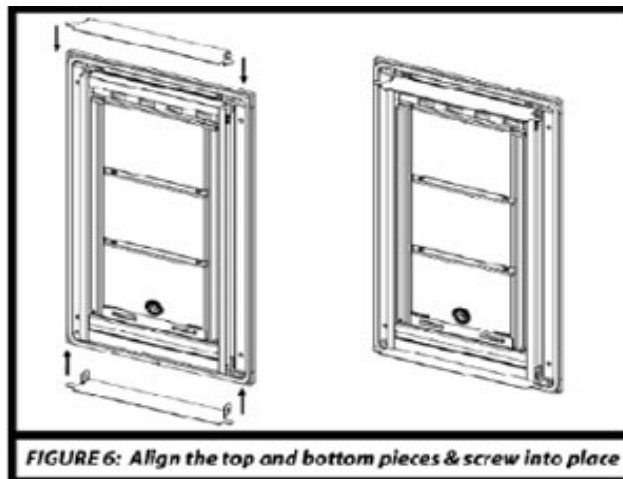
8. If a double flap wall mount, assemble the four-piece tunnel by first bending the screw tabs down as shown in Figure 4 in the top and bottom tunnel pieces (the two identical shorter pieces).



9. Remove the screws in the four corners of the flap frame assembly as shown in Figure 5.



10. Place the top piece on, with the bent tabs down and align the top piece so the holes in the tabs lines up with the screw holes in the flap frame and screw in as shown in Figure 6. Repeat for the bottom piece.

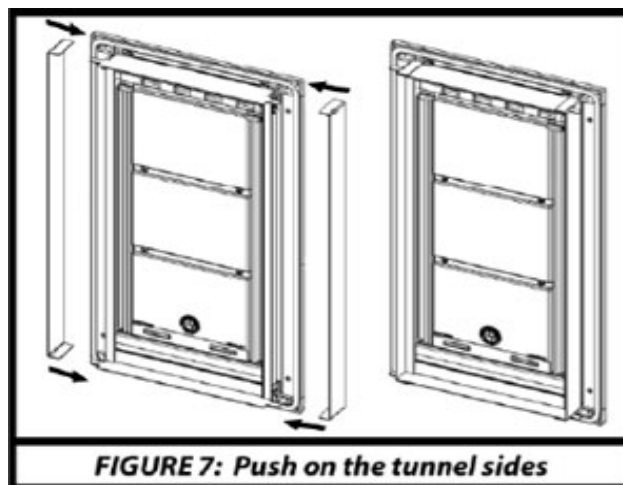


11. Slide in the tunnel side pieces as shown in Figure 7.

12. Bend the tabs down with your thumb or a screwdriver handle.

13. Place the flap frame with the tunnel attached on the inside and the other flap frame outside.

14. Select the 2-1/4 inch set of screws for 1-3/4 inch walls and the shorter set for 1-3/8 inch walls. Insert these into the pet wall from the inside. For walls with a thickness of less than 1-3/8 inch, see special instructions. For walls between 1-3/4 inch and 2-1/4 inch with the double flap wall mount, use the 2-3/4 inch screws.



15. Start all four screws as shown in Figure 8, but do not tighten.

16. Before tightening down the screws, check that the pet wall is level and adjust as needed.

17. Tighten the screws until the weather-stripping compresses and the pet wall touches the wall. Do not over tighten.

18. Hammer the hole covers into the frame using the wooden end of a hammer (or similar non metal tool).

19. For double flap wall mounts, apply silicone along the inside of the tunnel where it mates with the flap frames to seal your pet wall from the elements. Failure to seal your pet wall can lead to severe water damage.

